

[www.dunavox.com](http://www.dunavox.com)  
[info@dunavox.com](mailto:info@dunavox.com)

**f** [www.facebook.com/dunavoxglobal](https://www.facebook.com/dunavoxglobal)

**@** [www.instagram.com/dunavoxglobal](https://www.instagram.com/dunavoxglobal)

**in** [www.linkedin.com/company/dunavox](https://www.linkedin.com/company/dunavox)





# DUNAVOX AROUND THE WORLD

DUNAVOX AROUND THE WORLD



MORE THAN  
**40**  
COUNTRIES AROUND THE WORLD

MORE THAN  
**100**  
MODELS

**10**  
PRODUCT FAMILIES

## A VISION OF GLOBAL REACH

For almost twenty years, the award winning wine cooler brand, Dunavox, has been associated with the professional storage and cooling solutions for wine. Dunavox has been at the forefront of development and is known for minimalistic yet functional design character, practical internal layout, state-of-the-art technology enabling them to make highly energy efficient and reliable products. As a result of recent continued business expansion, Europe's largest range of over 50 different premium wine coolers is now available through its network of global distributors but also five separate Dunavox subsidiaries (GB, ES, IT, BNL, DE) – all providing high quality assistance, technical support and after-sales service.

### DUNAVOX Kft., Hungary - Headquarters

2151 Fót, Fehérkő utca 8/B  
Phone: +36 27 594 054  
Email: info@dunavox.com

### DUNAVOX Deutschland GmbH, Germany

84056 Rottenburg Dieselstrasse 34  
Phone: +49 8781 2014130  
Email: deutschland@dunavox.com

### DUNAVOX Benelux B.V., The Netherlands

Sofiapad 6 3542 EV, Utrecht  
Phone: +31 0 307430230 , WhatsApp: +31 6 15444081  
Email: nederland@dunavox.com, belgie@dunavox.com

### DUNAVOX Italia s.r.l, Italy

31031 Caerano di San Marco  
Phone: +39 0423 650022  
Email: info@dunavox.it

### DUNAVOX GB Ltd., The United Kingdom

Unit 3 Central Trading Estate, Chester, CH4 8SX  
Phone: 01244 681 369  
Email: sales.gb@dunavox.com

### DUNAVOX Iberia sl, Spain

08402 Granollers-Barcelona, C/ Pallars 6, planta 7ª  
Phone: +34 938 700 895  
Email: iberia@dunavox.com

### DUNAVOX Poland Business Development Team, Poland

Phone: +48 604 405 804, +48 661 955 506  
Email: kontakt.polska@dunavox.com





# DUNAVOX KEY FEATURES

DUNAVOX KEY FEATURES

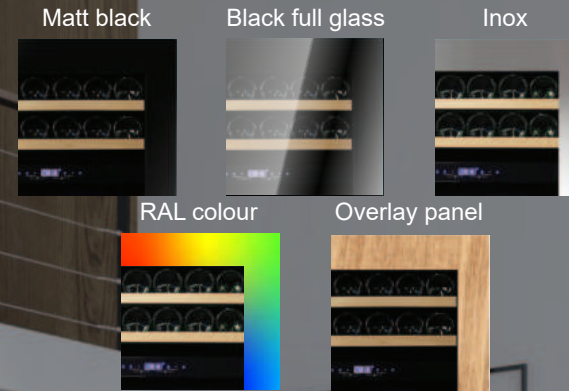
## SINGLE AND DUAL TEMPERATURE ZONES

Dunavox wine coolers are available with one or two cooling zones. Configuring the desired temperature is easy at single, dual or even three cooling zone wine coolers.



## VARIOUS DOOR/ FINISH OPTIONS

Black full glass door, stainless steel door, matt black door, RAL colour door, overlay panel – a finish to match any kitchen style or colour.



## PUSH-TO-OPEN

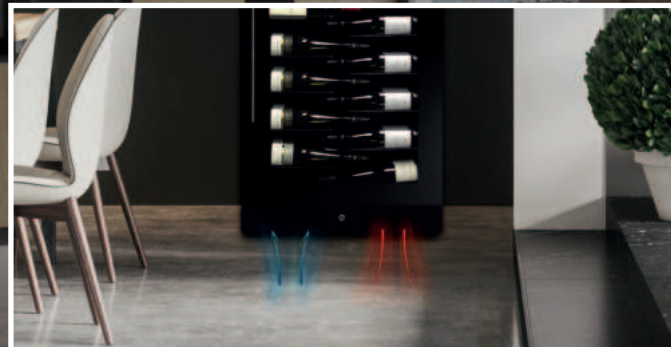
Gently push the door to access the bottles inside, in keeping with the handleless kitchen trend.



## FRONT GRILLE VENTILATION

The ventilation grille must be kept free; the warm air produced by the compressor is expelled through one side and the cooler air is drawn in on the other via a set of silent fans which enable the cooler to ventilate correctly.

If running a plinth in front of the wine cooler, a grille must be installed into the plinth itself to ensure adequate ventilation and any heat sources near to the cooler will likely reduce the life span of the fridge, namely the compressor itself.



## INTEGRATED DOOR LOCK

Child-safe lock prevents unauthorized access to contents and temperature controls; suitable for either home or commercial restaurant use. All lockable wine coolers will lock from the bottom (REMOVE and use regular padlock style keys to keep the wines secure). Most wine coolers will come with two keys and most wine cabinet owners will opt to carry one and keep another in a safe place in their home.



## DOOR HANDLE

Black door with black handle, Inox door with stainless steel handle, the classic door opening method. The handle allows manual opening and closing of the door.



## INTEGRATED VENTILATION SYSTEM

Simple to install without a plinth vent; allowing integrated coolers to be installed undercounter, maintaining the lines of the kitchen.



## MULTI LED LIGHT

A lighting option for every mood; choose between white, amber or blue, as well as multiple lighting mode.



## HIDDEN HANDLE DOOR

In keeping with the latest design trends with undercounter wine coolers, a small range of our coolers are available with a recessed handle.





# DUNAVOX KEY FEATURES

DUNAVOX KEY FEATURES

## TELESCOPIC WOODEN SHELVES

Fully extendable, smooth sliding, telescopic shelves provide full visibility and access to all bottles of your collection. Access your wines easily with shelving that pulls all the way out.



## LABEL VIEW SHELVES

Designed specifically for larger bottles, the optimal distance between the shelves fits comfortably with the champagne & prosecco bottles. Bottles are supported on patented display shelves. Bottle capacity and shelf distance is based on standard shaped champagne bottles, dimensions listed above (750ml 310x85mm).



## TFT TOUCH SCREEN

The latest technology in home appliances, swipe through the settings menu just like your mobile phone; change settings from your mobile phone and set the temperature with the full colour screen.



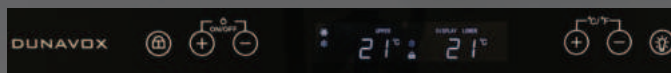
## LED TOUCH SCREEN

The LED display allows a quick and easy use to set and check the desired temperature or switch the lights on and off.



## LCD TOUCH SCREEN

Smooth and detailed touch screen display that show various functions such as inner airflow and light colour.



## OVERLAY PANEL

Overlay panel door option allows you to hide the wine cooler completely with furniture. The same furniture panel can be attached to the winecooler as the kitchen furniture has been made of.



## OUTDOOR PLACEMENT

Dunavox wine coolers are intended to use indoor, however if you follow a few conditions the units can also be used outdoors. Keep the fridge out of direct sunlight, and install it in a covered area protected from rain. Do not keep the unit outside when the ambient temperature fall below 18°C. (Lets cover ourselves, heating wise)



## INSTALLATION/ PLACEMENT

It's an easy to handle range. The capacity is on a wide scale from 16 to 50 bottles. These coolers can't be built-in or place under a counter. Only the freestanding installation is allowed because these coolers don't have a regular front grid where the ventilation can be done. For proper functioning the units require free space around them.

The condenser is installed inside the corpus, this means the heat extraction happens at the sides and at the top of the cooler. That's why it's crucial to let these units stand freely.



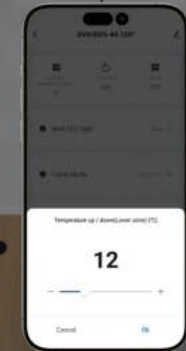
## OPENED BOTTLES STORAGE

Home series offers a unique feature to store opened bottles in the wine fridges in standing position. The front part of the unit is designed for standing bottle storage.



## WIFI + SMART APP

Experience unparalleled convenience and control with our wine fridge's advanced WiFi and smart app functionality. Whether you're at home, work, or on the go, stay connected to your wine collection like never before, ensuring every bottle is perfectly chilled and ready to enjoy whenever the moment strikes.



## YACHT & SHIP INSTALLATIONS

Indulge in the luxury of perfectly chilled wines at sea with our state-of-the-art wine fridges aboard cruise ships. Designed to preserve the delicate flavors and aromas of your favorite vintages, our sleek and efficient wine fridges ensure that every sip is as delightful as the first. Elevate your onboard experience with the convenience and sophistication of expertly stored wines, enhancing every moment of your voyage.





# DUNAVOX RANGES

DUNAVOX RANGES



**DUNAVOX NOBLE, HORIZON, BALANCE**  
Fully integrated Push-to-open range

**DUNAVOX PRIME, SPIRIT, JOY**  
Fully integrated with-handle range



**DUNAVOX FLOW**  
Undercounter range

**DUNAVOX GRANDE**  
High bottle capacity range



**DUNAVOX SERA**  
Champagne, Prosecco, Cava range

**DUNAVOX HOME**  
Anywhere with you





# DUNAVOX NOBLE, HORIZON, BALANCE

Fully integrated, push-to-open range



## KEY FEATURES

### PUSH-TO-OPEN

Gently push the door to access the bottles inside, in keeping with the handleless kitchen trend.



### TFT TOUCH SCREEN

The latest technology in home appliances, swipe through the settings menu just like your mobile phone; change settings from your mobile phone and set the temperature with the full colour screen.

• DUNAVOX NOBLE range



### LCD TOUCH SCREEN

Smooth and detailed touch screen display that show various functions such as inner airflow and light colour.

• DUNAVOX HORIZON range

\*except DUNAVOX HORIZON-32.TO and HORIZON-114.TO



### LED TOUCH SCREEN

The LED display allows a quick and easy use to set and check the desired temperature or switch the lights on and off.

• DUNAVOX BALANCE range



### WIFI + SMART APP

Experience unparalleled convenience and control with our wine fridge's advanced WiFi and smart app functionality. Whether you're at home, work, or on the go, stay connected to your wine collection like never before, ensuring every bottle is perfectly chilled and ready to enjoy whenever the moment strikes.

• DUNAVOX NOBLE, HORIZON range

\*except DUNAVOX HORIZON-32.TO and HORIZON-114.TO

### INTEGRATED VENTILATION SYSTEM

Simple to install without a plinth vent; allowing integrated coolers to be installed undercounter, maintaining the lines of the kitchen.

• DUNAVOX NOBLE, HORIZON range



### TELESCOPIC WOODEN SHELVES

Fully extendable, smooth sliding, telescopic shelves provide full visibility and access to all bottles of your collection. Access your wines easily with shelving that pulls all the way out.

\*except DUNAVOX HORIZON-32.TO and HORIZON-114.TO

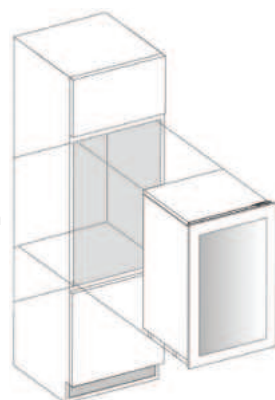


### MULTI LED LIGHT

A lighting option for every mood; choose between white, amber or blue, as well as multiple lighting mode.



Integrated Ventilation



### FULLY INTEGRATED INSTALLATION

• 455 – 1784mm standard height models

• width varies between 590-650mm

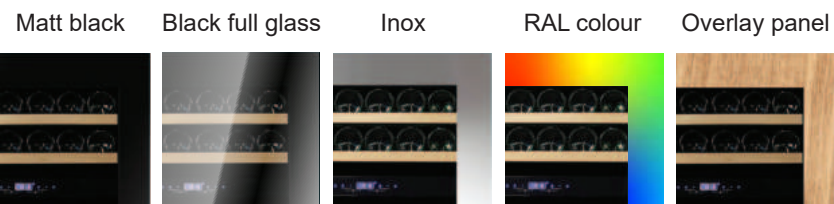
**3**

### THREE YEAR WARRANTY

Parts & labour

+2 years for compressor

### VARIOUS DOOR/ FINISH OPTIONS



Integrated ventilation system



**45 CM HIGH**

DVN-19.50B.TO  
DVH-19.50B.TO  
DVH-19.50SS.TO

Integrated ventilation system



**45 CM HIGH**

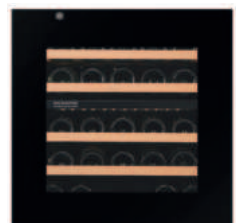
DXB-24.51B.TO

Integrated ventilation system



**60 CM HIGH**

DVN-25.65DB.TO  
DVH-25.65DB.TO  
DVH-25.65DSS.TO



**60 CM HIGH**

DXB-26.69DB.TO



**72 CM HIGH**

DAVG-32.80DB.TO  
DAVG-32.80DSS.TO  
DAVG-32.80DOP.TO

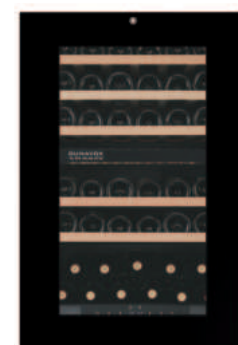
Integrated ventilation system



**88 CM HIGH**

DVN-44.120DB.TO  
DVH-44.120DB.TO  
DVH-44.120DSS.TO

Integrated ventilation system



**88 CM HIGH**

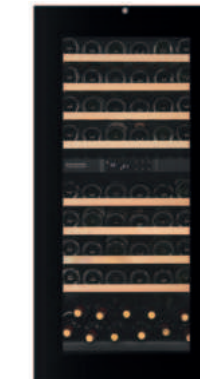
DXB-42.100DB.TO

Integrated ventilation system



**123 CM HIGH**

DVN-70.185DB.TO  
DVH-70.185DB.TO  
DVH-70.185DSS.TO



**123 CM HIGH**

DXB-65.154DB.TO

Integrated ventilation system



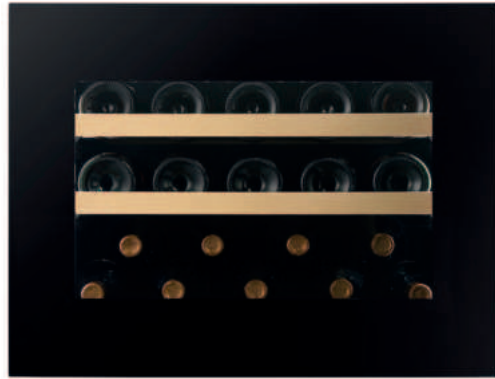
**178 CM HIGH**

DAVG-114.288DB.TO  
DAVG-114.288DSS.TO  
DAVG-114.288DOP.TO

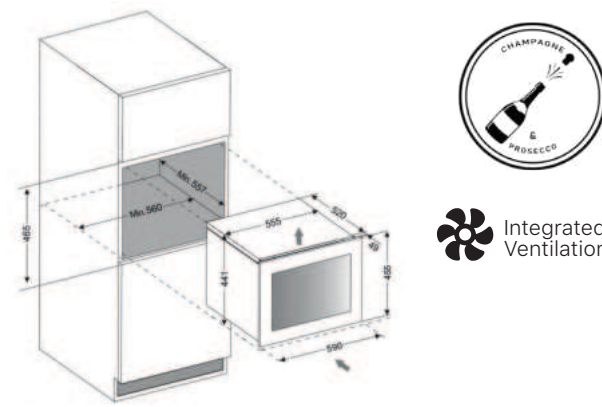


## NOBLE-19.TO

Black full glass DVN-19.50B.TO EAN: 5999558435332



455  
569  
590



Installation type	Fully integrated or undercounter
Bottle capacity (750mL Bordeaux bottles)	19
Type of opening	Push-to-open
Type of hinges	Soft closing Hettich hinge
Display type	TFT touch screen - same as a smart phone -
Cooling zones	1
Cooling ranges	5-18° C
Operating instructions	Champagne bottle fit in between shelves
Heater	No
Installation requirements	Integrated ventilation system
Energy class	F
Power consumption	100 kWh/a
Rated power	220-240V, 50Hz, 0,5A
Gross dimensions (HxWxD) in mm	500x660x650
Product dimensions (HxWxD) in mm	455x590x569
Shelf	Telescopic wooden shelves
Noise level	37dB
Low vibration	Yes
Cooling type	Fan assisted cooling, compressor
Glass door	UV protected, 2 layers of glass +Low-E, reversible
Interior light	Multi LED light (white, amber, blue)
Wifi + Smart App	Yes
Warranty	3 years parts and labour + 2 years for compressor

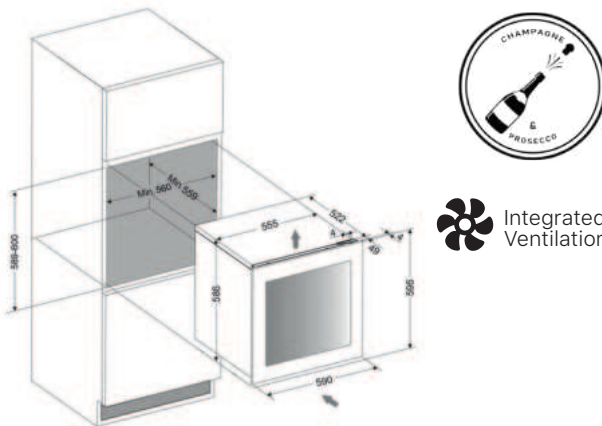


## NOBLE-25.TO

Black full glass DVN-25.65DB.TO EAN: 5999558435349



596  
571  
590



Installation type	Fully integrated or undercounter
Bottle capacity (750mL Bordeaux bottles)	25
Type of opening	Push-to-open
Type of hinges	soft closing Hettich hinge
Display type	TFT touch screen - same as a smart phone -
Cooling zones	2
Cooling ranges	5-10° C // 10-18° C
Operating instructions	Champagne bottle fit in between shelves
Heater	Yes
Installation requirements	Integrated ventilation system
Energy class	F
Power consumption	101 kWh/a
Rated power	220-240V, 50Hz, 0,6A
Gross dimensions (HxWxD) in mm	660x650x645
Product dimensions (HxWxD) in mm	596x590x571
Shelf	Telescopic wooden shelves
Noise level	36dB
Low vibration	Yes
Cooling type	Fan assisted cooling, compressor
Glass door	UV protected, 2 layers of glass +Low-E, reversible
Interior light	Multi LED light (white, amber, blue)
Wifi + Smart App	Yes
Warranty	3 years parts and labour + 2 years for compressor

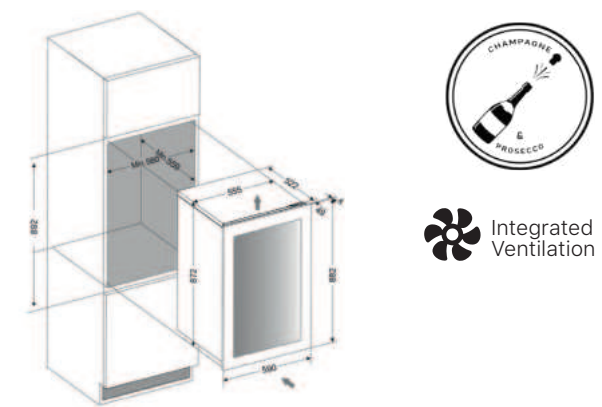


## NOBLE-44.TO

Black full glass DVN-44.120DB.TO EAN: 5999558435356



886  
571  
590



Installation type	Fully integrated or undercounter
Bottle capacity (750mL Bordeaux bottles)	44
Type of opening	Push-to-open
Type of hinges	Soft closing Hettich hinge
Display type	TFT touch screen - same as a smart phone -
Cooling zones	2
Cooling ranges	5-10° C // 10-18° C
Operating instructions	Champagne bottle fit in between shelves
Heater	Yes
Installation requirements	Integrated ventilation system
Energy class	F
Power consumption	106 kWh/a
Rated power	220-240V, 50Hz, 0,6A
Gross dimensions (HxWxD) in mm	925x640x640
Product dimensions (HxWxD) in mm	886x590x571
Shelf	Telescopic wooden shelves
Noise level	36dB
Low vibration	Yes
Cooling type	Fan assisted cooling, compressor
Glass door	UV protected, 2 layers of glass +Low-E, reversible
Interior light	Multi LED light (white, amber, blue)
Wifi + Smart App	Yes
Warranty	3 years parts and labour + 2 years for compressor

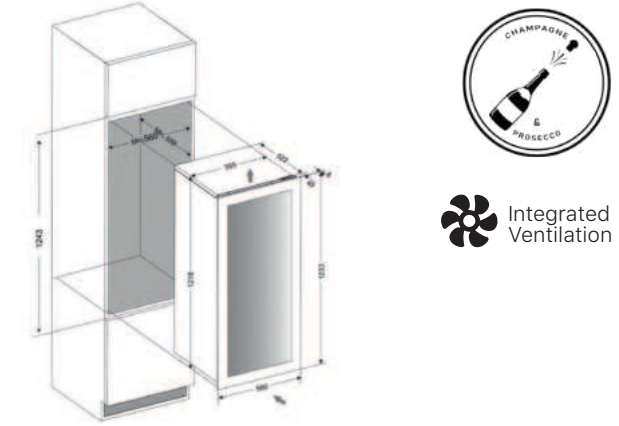


## NOBLE-70.TO

Black full glass DVN-70.185DB.TO EAN: 5999558435592



1233  
571  
590



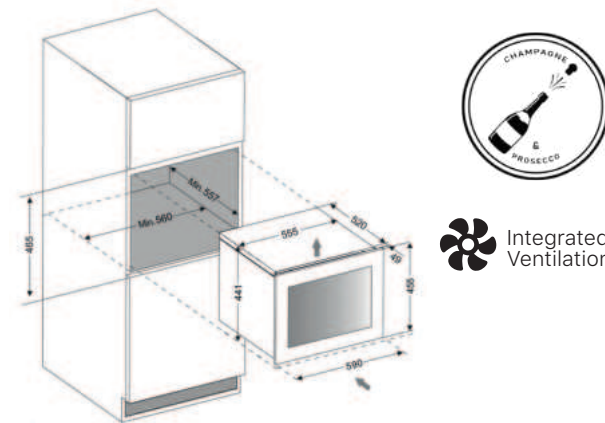
Installation type	Fully integrated
Bottle capacity (750mL Bordeaux bottles)	70
Type of opening	Push to open
Type of hinges	Soft closing Hettich hinge
Display type	TFT touch screen - same as a smart phone -
Cooling zones	2
Cooling ranges	5-10° C // 10-18° C
Operating instructions	Champagne bottle fit in between shelves
Heater	Yes
Installation requirements	Integrated ventilation system
Energy class	F
Power consumption	112 kWh/a
Rated power	220-240V, 50Hz, 0,6A
Gross dimensions (HxWxD) in mm	1275x650x660
Product dimensions (HxWxD) in mm	1233x590x571
Shelf	Telescopic wooden shelves
Noise level	36dB
Low vibration	Yes
Cooling type	Fan assisted cooling, compressor
Glass door	UV protected, 2 layers of glass +Low-E, reversible
Interior light	Multi LED light (white, amber, blue)
Wifi + Smart App	Yes
Warranty	3 years parts and labour + 2 years for compressor





## HORIZON-19.TO

Black full glass DVH-19.50B.TO EAN: 5999558435363  
 Stainless steel DVH-19.50SS.TO EAN: 5999558435370  
 Matt black DVH-19.50MB.TO EAN: 5999558436070  
 RAL colour DVH-19.50C.TO EAN: 5999558436117



455  
569  
590



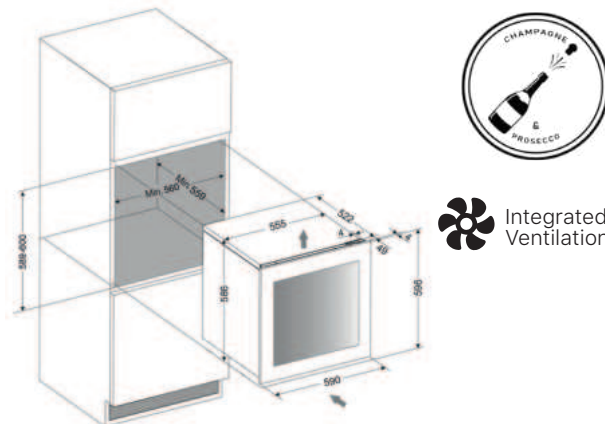
Scan me to know more:

Installation type	Fully integrated or undercounter
Bottle capacity (750mL Bordeaux bottles)	19
Type of opening	Push-to-open
Type of hinges	Soft closing Hettich hinge
Display type	LCD touch screen
Cooling zones	1
Cooling ranges	5-18°C
Operating instructions	Champagne bottle fit in between shelves
Heater	No
Installation requirements	Integrated ventilation system
Energy class	F
Power consumption	100 kWh/a
Rated power	220-240V, 50Hz, 0,5A
Gross dimensions (HxWxD) in mm	500x660x650
Product dimensions (HxWxD) in mm	455x590x569
Shelf	Telescopic wooden shelves
Noise level	37dB
Low vibration	Yes
Cooling type	Fan assisted cooling, compressor
Glass door	UV protected, 2 layers of glass + Low-E, reversible
Interior light	Multi LED light (white, amber, blue)
Wifi + Smart App	Yes
Warranty	3 years parts and labour + 2 years for compressor



## HORIZON-25.TO

Black full glass DVH-25.65DB.TO EAN: 5999558435387  
 Stainless steel DVH-25.65DSS.TO EAN: 5999558435394  
 Matt black DVH-25.65DMB.TO EAN: 5999558436087  
 RAL colour DVH-25.65DC.TO EAN: 5999558436124



596  
571  
590



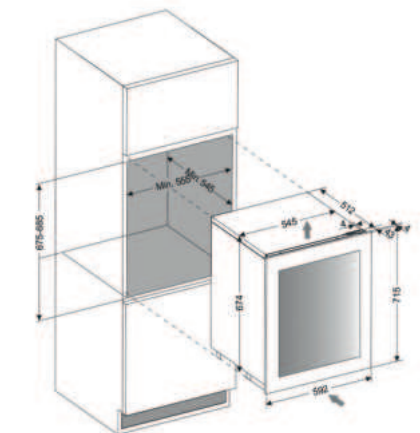
Scan me to know more:

Installation type	Fully integrated or undercounter
Bottle capacity (750mL Bordeaux bottles)	25
Type of opening	Push-to-open
Type of hinges	Soft closing Hettich hinge
Display type	LCD touch screen
Cooling zones	2
Cooling ranges	5-10°C // 10-18°C
Operating instructions	Champagne bottle fit in between shelves
Heater	Yes
Installation requirements	Integrated ventilation system
Energy class	F
Power consumption	101 kWh/a
Rated power	220-240V, 50Hz, 0,6A
Gross dimensions (HxWxD) in mm	660x650x645
Product dimensions (HxWxD) in mm	596x590x571
Shelf	Telescopic wooden shelves
Noise level	36dB
Low vibration	Yes
Cooling type	Fan assisted cooling, compressor
Glass door	UV protected, 2 layers of glass + Low-E, reversible
Interior light	Multi LED light (white, amber, blue)
Wifi + Smart App	Yes
Warranty	3 years parts and labour + 2 years for compressor



## HORIZON-32.TO

Black full glass DAVG-32.80DB.TO EAN: 5999558434403  
 Stainless steel DAVG-32.80DSS.TO EAN: 5999558434410  
 Overlay pabel DAVG-32.80DOP.TO EAN: 5999558434991  
 Matt black DAVG-32.80DMB.TO EAN: 5999558436230  
 RAL colour DAVG-32.80DC.TO EAN: 5999558436247



715  
559  
590



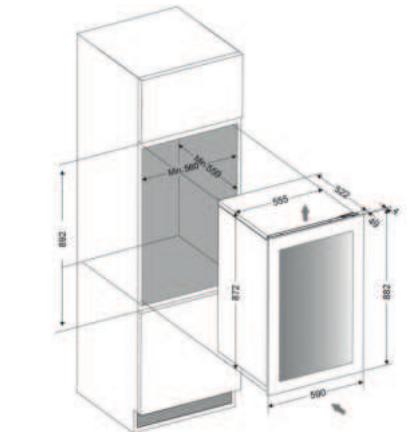
Scan me to know more:

Installation type	Fully integrated or undercounter
Bottle capacity (750mL Bordeaux bottles)	32
Type of opening	Push-to-open
Type of hinges	Soft closing Hettich hinge
Display type	LED touch screen
Cooling zones	2
Cooling ranges	5-20°C // 5-20°C
Operating instructions	Same temperature can be set in both zones
Heater	Yes
Installation requirements	Integrated ventilation system
Energy class	G
Power consumption	133 kWh/a
Rated power	220-240V, 50Hz, 1,2A
Gross dimensions (HxWxD) in mm	810x660x660
Product dimensions (HxWxD) in mm	715x590x559
Shelf	Sliding wooden shelves
Noise level	39dB
Low vibration	Yes
Cooling type	Fan assisted cooling, compressor
Glass door	UV protected, 3 layers of glass, reversible
Interior light	Multi LED light (white, amber, blue)
Wifi + Smart App	No
Warranty	3 years parts and labour + 2 years for compressor



## HORIZON-44.TO

Black full glass DVH-44.120DB.TO EAN: 5999558435400  
 Stainless steel DVH-44.120DSS.TO EAN: 5999558435417  
 Matt black DVH-44.120DMB.TO EAN: 5999558436094  
 RAL colour DVH-44.120DC.TO EAN: 5999558436131



886  
571  
590



Scan me to know more:

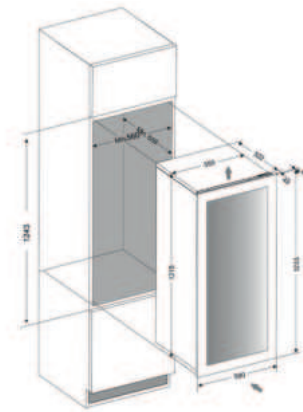
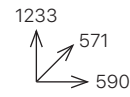
Installation type	Fully integrated or undercounter
Bottle capacity (750mL Bordeaux bottles)	44
Type of opening	Push-to-open
Type of hinges	Soft closing Hettich hinge
Display type	LCD touch screen
Cooling zones	2
Cooling ranges	5-10°C // 10-18°C
Operating instructions	Champagne bottle fit in between shelves
Heater	Yes
Installation requirements	Integrated ventilation system
Energy class	F
Power consumption	106 kWh/a
Rated power	220-240V, 50Hz, 0,6A
Gross dimensions (HxWxD) in mm	925x640x640
Product dimensions (HxWxD) in mm	886x590x571
Shelf	Telescopic wooden shelves
Noise level	36dB
Low vibration	Yes
Cooling type	Fan assisted cooling, compressor
Glass door	UV protected, 2 layers of glass + Low-E, reversible
Interior light	Multi LED light (white, amber, blue)
Wifi + Smart App	Yes
Warranty	3 years parts and labour + 2 years for compressor





## HORIZON-70.TO

Black full glass DVH-70.185DB.TO EAN: 5999558435608  
 Stainless steel DVH-70.185DSS.TO EAN: 5999558435615  
 Matt black DVH-70.185DMB.TO EAN: 5999558436100  
 RAL colour DVH-70.185DC.TO EAN: 5999558436148



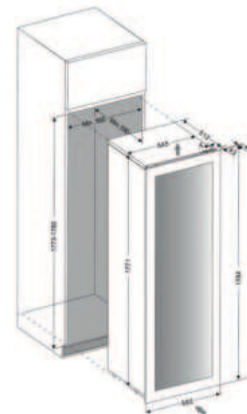
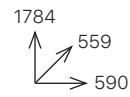
Scan me to know more:

Installation type	Fully integrated
Bottle capacity (750mL Bordeaux bottles)	70
Type of opening	Push-to-open
Type of hinges	Soft closing Hettich hinge
Display type	LCD touch screen
Cooling zones	2
Cooling ranges	5-10° C // 10-18° C
Operating instructions	Champagne bottle fit in between shelves
Heater	Yes
Installation requirements	Integrated ventilation system
Energy class	F
Power consumption	112 kWh/a
Rated power	220-240V, 50Hz, 0,6A
Gross dimensions (HxWxD) in mm	1275x650x660
Product dimensions (HxWxD) in mm	1233x590x571
Shelf	Telescopic wooden shelves
Noise level	36dB
Low vibration	Yes
Cooling type	Fan assisted cooling, compressor
Glass door	UV protected, 2 layers of glass +Low-E, reversible
Interior light	Multi LED light (white, amber, blue)
Wifi + Smart App	Yes
Warranty	3 years parts and labour + 2 years for compressor



## HORIZON-114.TO

Black full glass DAVG-114.288DB.TO EAN: 5999558434465  
 Stainless steel DAVG-114.288DSS.TO EAN: 5999558434472  
 Overlay pabel DAVG-114.288DOP.TO EAN: 5999558435028  
 Matt black DAVG-114.288DMB.TO EAN: 5999558436254  
 RAL colour DAVG-114.288DC.TO EAN: 5999558436261



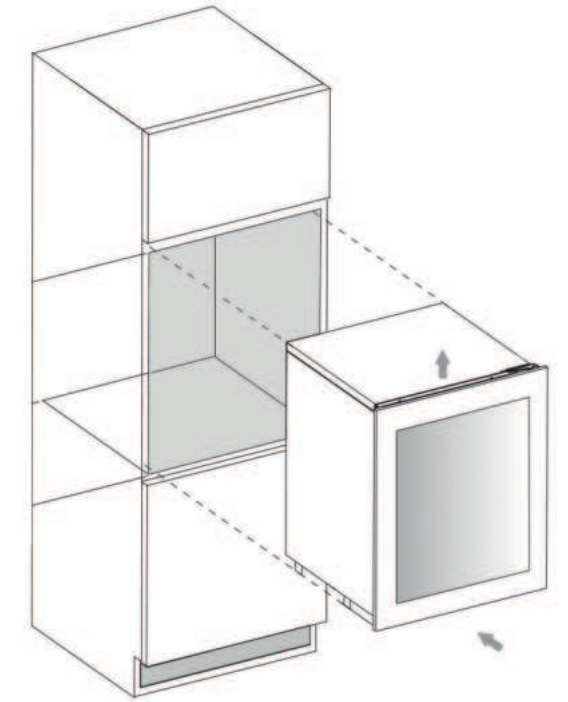
Scan me to know more:

Installation type	Fully integrated
Bottle capacity (750mL Bordeaux bottles)	114
Type of opening	Push-to-open
Type of hinges	Soft closing Hettich hinge
Display type	LED touch screen
Cooling zones	2
Cooling ranges	5-20° C // 5-20° C
Operating instructions	Same temperature can be set in both zones
Heater	Yes
Installation requirements	Integrated ventilation system
Energy class	G
Power consumption	167 kWh/a
Rated power	220-240V, 50Hz, 1,2A
Gross dimensions (HxWxD) in mm	1990x660x660
Product dimensions (HxWxD) in mm	1784x590x559
Shelf	Sliding wooden shelves
Noise level	36dB
Low vibration	Yes
Cooling type	Fan assisted cooling, compressor
Glass door	UV protected, 3 layers of glass, reversible
Interior light	Multi LED light (white, amber, blue)
Wifi + Smart App	No
Warranty	3 years parts and labour + 2 years for compressor



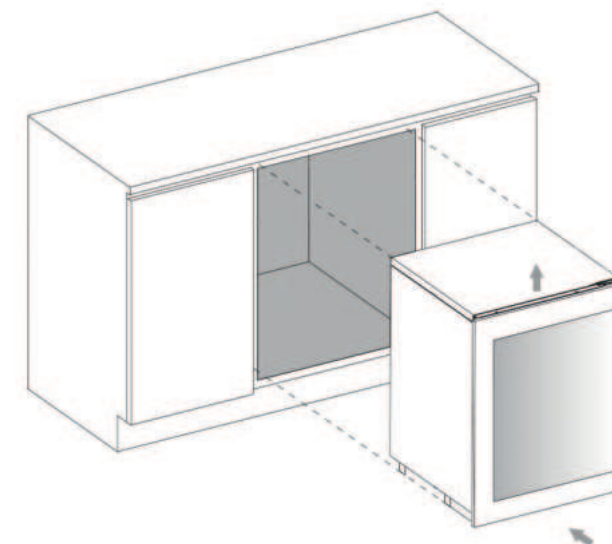
## FULLY INTEGRATED

Thanks to integrated ventilation, the installation possibilities for wine coolers have never been seen before. Whether with handles handle-less wine coolers can be quickly and easily built into a kitchen cabinet or countertop. (Only Horizon, Prime, Noble and Spirit product ranges)



## UNDERCOUNTER

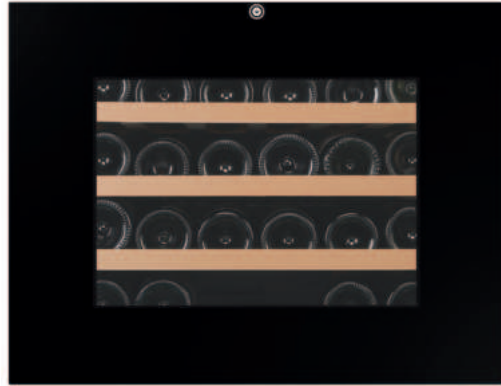
Thanks to integrated ventilation, the installation possibilities for wine coolers have never been seen before. Whether with handles handle-less wine coolers can be quickly and easily built into a kitchen cabinet or countertop. (Only Horizon, Prime, Noble and Spirit product ranges)



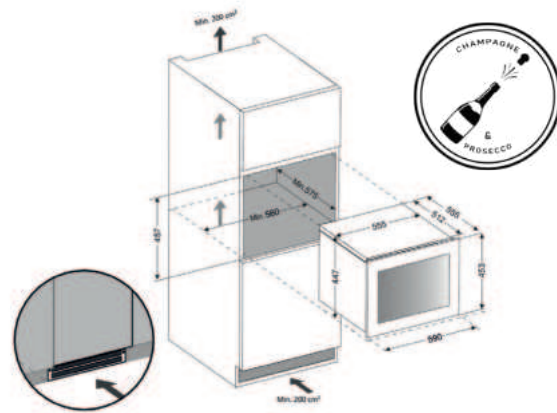


## BALANCE-24.TO

Black full glass DXB-24.51B.TO EAN: 5999558435424



455  
559  
592

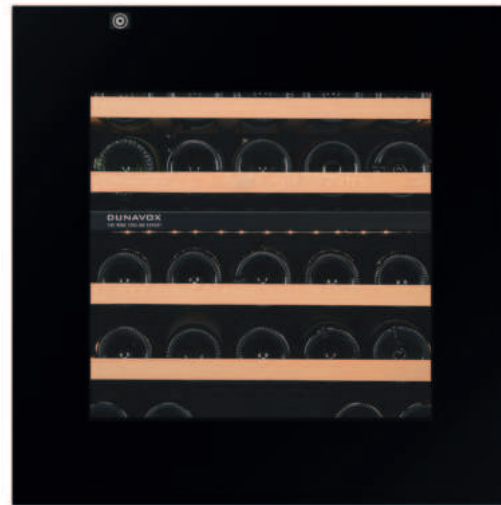


Installation type	Built-in only
Bottle capacity (750mL Bordeaux bottles)	24
Type of opening	Push to open
Type of hinges	Regular (Pivot)
Display type	LED touch screen
Cooling zones	1
Cooling ranges	5-20°C
Operating instructions	Champagne bottle fit in between shelves
Heater	No
Installation requirements	Front and rear ventilation is needed
Energy class	G
Power consumption	118 kWh/a
Rated power	220-240V, 50Hz, 0,5A
Gross dimensions (HxWxD) in mm	550x660x670
Product dimensions (HxWxD) in mm	455x592x559
Shelf	Telescopic wooden shelves
Noise level	39dB
Low vibration	Yes
Cooling type	Fan assisted cooling, compressor
Glass door	UV protected, 3 layers of glass, reversible
Interior light	Multi LED light (white, amber, blue)
Wifi + Smart App	No
Warranty	3 years parts and labour + 2 years for compressor

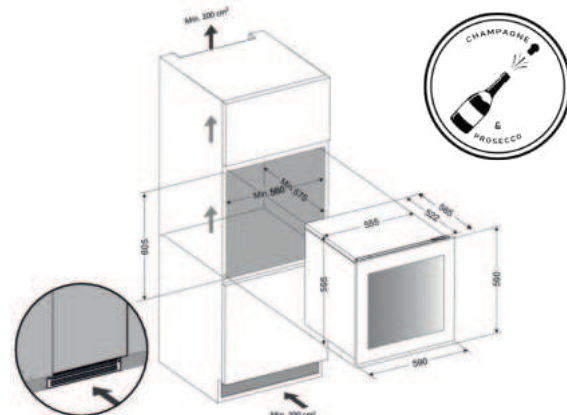


## BALANCE-26.TO

Black full glass DXB-26.69DB.TO EAN: 5999558435431



598  
565  
590



Installation type	Built-in only
Bottle capacity (750mL Bordeaux bottles)	26
Type of opening	Push to open
Type of hinges	Regular (Pivot)
Display type	LED touch screen
Cooling zones	2
Cooling ranges	10-20°C // 5-12°C
Operating instructions	Champagne bottle fit in between shelves
Heater	Yes
Installation requirements	Front and rear ventilation is needed
Energy class	G
Power consumption	124 kWh/a
Rated power	220-240V, 50Hz, 0,5A
Gross dimensions (HxWxD) in mm	690x660x670
Product dimensions (HxWxD) in mm	598x590x565
Shelf	Telescopic wooden shelves
Noise level	38dB
Low vibration	Yes
Cooling type	Fan assisted cooling, compressor
Glass door	UV protected, 3 layers of glass, reversible
Interior light	Multi LED light (white, amber, blue)
Wifi + Smart App	No
Warranty	3 years parts and labour + 2 years for compressor

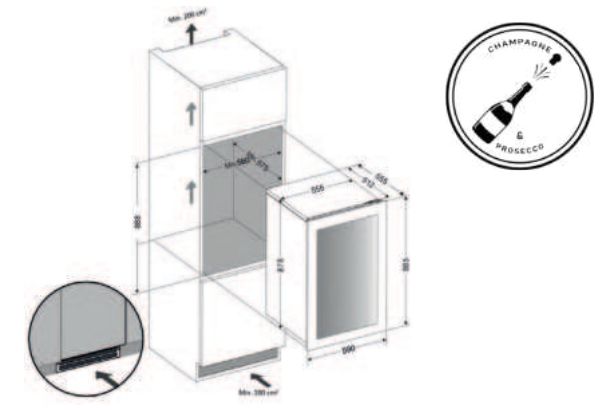


## BALANCE-42.TO

Black full glass DXB-42.100DB.TO EAN: 5999558435448



885  
559  
592

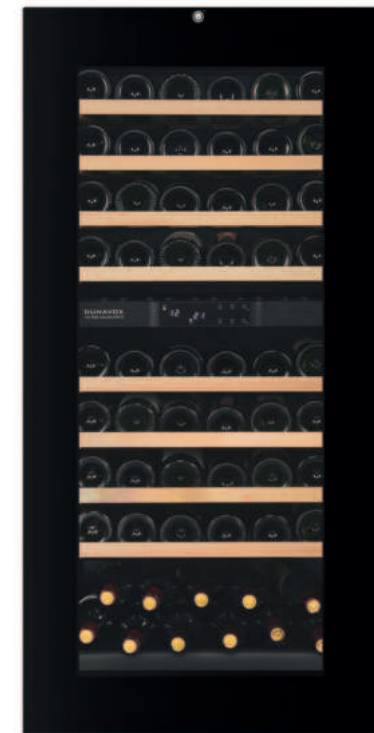


Installation type	Built-in only
Bottle capacity (750mL Bordeaux bottles)	42
Type of opening	Push to open
Type of hinges	Regular (Pivot)
Display type	LED touch screen
Cooling zones	2
Cooling ranges	5-20°C // 5-20°C
Operating instructions	Champagne bottle fit in between shelves
Heater	Yes
Installation requirements	Front and rear ventilation is needed
Energy class	G
Power consumption	126 kWh/a
Rated power	220-240V, 50Hz, 0,6A
Gross dimensions (HxWxD) in mm	980x660x670
Product dimensions (HxWxD) in mm	885x592x559
Shelf	Telescopic wooden shelves
Noise level	40dB
Low vibration	Yes
Cooling type	Fan assisted cooling, compressor
Glass door	UV protected, 3 layers of glass, reversible
Interior light	Multi LED light (white, amber, blue)
Wifi + Smart App	No
Warranty	3 years parts and labour + 2 years for compressor

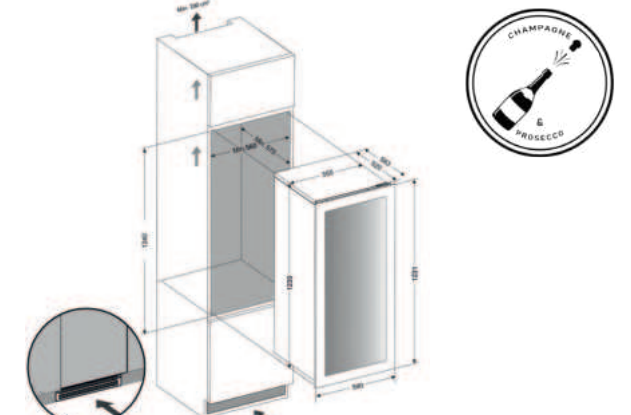


## BALANCE-65.TO

Black full glass DXB-65.154DB.TO EAN: 5999558435455



1233  
571  
590



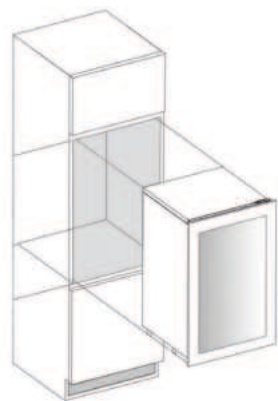
Installation type	Built-in only
Bottle capacity (750mL Bordeaux bottles)	65
Type of opening	Push to open
Type of hinges	Regular (Pivot)
Display type	LED touch screen
Cooling zones	2
Cooling ranges	5-20°C // 5-20°C
Operating instructions	Champagne bottle fit in between shelves
Heater	Yes
Installation requirements	Front and rear ventilation is needed
Energy class	G
Power consumption	149 kWh/a
Rated power	220-240V, 50Hz, 0,7A
Gross dimensions (HxWxD) in mm	1445x680x690
Product dimensions (HxWxD) in mm	1233x590x571
Shelf	Telescopic wooden shelves
Noise level	36dB
Low vibration	Yes
Cooling type	Fan assisted cooling, compressor
Glass door	UV protected, 3 layers of glass, reversible
Interior light	Multi LED light (white, amber, blue)
Wifi + Smart App	No
Warranty	3 years parts and labour + 2 years for compressor





# DUNAVOX PRIME, SPIRIT, JOY

Fully integrated with-handle range



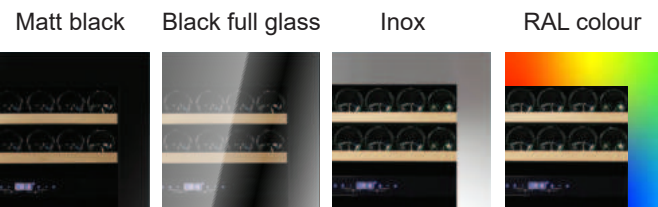
## FULLY INTEGRATED INSTALLATION

- 455 – 1788mm standard height models
- width varies between 590-595mm

**3**

**THREE YEAR WARRANTY**  
Parts & labour  
+2 years for compressor

## VARIOUS DOOR/ FINISH OPTIONS



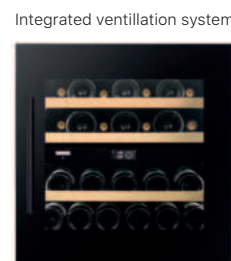
**45 CM HIGH**

DVP-19.50B  
DVS-19.50B  
DVS-19.50SS



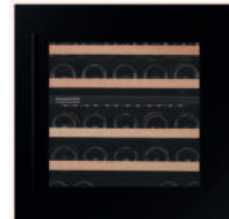
**45 CM HIGH**

DXJ-24.51B



**60 CM HIGH**

DVP-25.65DB  
DVS-25.65DB  
DVS-25.65DSS



**60 CM HIGH**

DXJ-26.69DB

## KEY FEATURES

### DOOR HANDLE

Black door with black handle, Inox door with stainless steel handle, the classic door opening method. The handle allows manual opening and closing of the door.



### TFT TOUCH SCREEN

The latest technology in home appliances, swipe through the settings menu just like your mobile phone; change settings from your mobile phone and set the temperature with the full colour screen.

- DUNAVOX PRIME range



### LCD TOUCH SCREEN

Smooth and detailed touch screen display that show various functions such as inner airflow and light colour.

- DUNAVOX SPIRIT range



### LED TOUCH SCREEN

The LED display allows a quick and easy use to set and check the desired temperature or switch the lights on and off.

- DUNAVOX JOY range



### WIFI + SMART APP

Experience unparalleled convenience and control with our wine fridge's advanced WiFi and smart app functionality. Whether you're at home, work, or on the go, stay connected to your wine collection like never before, ensuring every bottle is perfectly chilled and ready to enjoy whenever the moment strikes.

- DUNAVOX PRIME, SPIRIT range

### INTEGRATED VENTILATION SYSTEM

Simple to install without a plinth vent; allowing integrated coolers to be installed undercounter, maintaining the lines of the kitchen.

- DUNAVOX PRIME, SPIRIT range



### TELESCOPIC WOODEN SHELVES

Fully extendable, smooth sliding, telescopic shelves provide full visibility and access to all bottles of your collection. Access your wines easily with shelving that pulls all the way out.



### MULTI LED LIGHT

A lighting option for every mood; choose between white, amber or blue, as well as multiple lighting mode.

- PRIME, SPIRIT, JOY range
- \*except DUNAVOX JOY-89



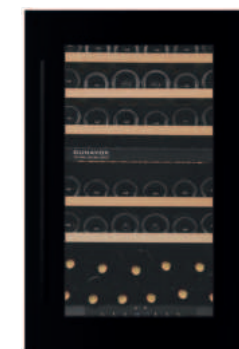
Integrated ventilation system



**88 CM HIGH**

DVP-44.120DB  
DVS-44.120DB  
DVS-44.120DSS

Integrated ventilation system



**88 CM HIGH**

DXJ-42.100DB



**123 CM HIGH**

DVP-70.185DB  
DVS-70.185DB  
DVS-70.185DSS



**123 CM HIGH**

DXJ-65.154DB



**178 CM HIGH**

DX-89.246TB  
DX-89.246TSS

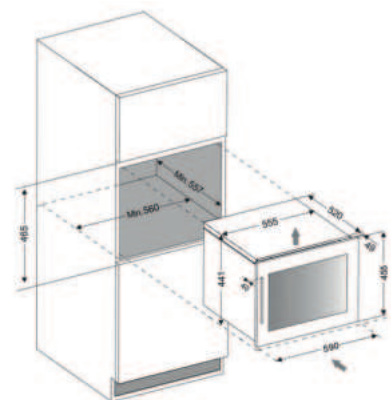


## PRIME-19

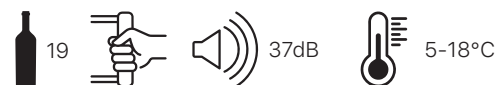
Black full glass DVP-19.50B EAN: 5999558435462



455  
560  
590



Installation type	Fully integrated or undercounter
Bottle capacity (750mL Bordeaux bottles)	19
Type of opening	Handle
Type of hinges	Regular (Pivot)
Display type	TFT touch screen - same as a smart phone -
Cooling zones	1
Cooling ranges	5-18°C
Operating instructions	Champagne bottle fit in between shelves
Heater	No
Installation requirements	Integrated ventilation system
Energy class	F
Power consumption	100 kWh/a
Rated power	220-240V, 50Hz, 0,5A
Gross dimensions (HxWxD) in mm	500x660x650
Product dimensions (HxWxD) in mm	455x590x560
Shelf	Telescopic wooden shelves
Noise level	37dB
Low vibration	Yes
Cooling type	Fan assisted cooling, compressor
Glass door	UV protected, 2 layers of glass + Low-E, reversible
Interior light	Multi LED light (white, amber, blue)
Wifi + Smart App	Yes
Warranty	3 years parts and labour + 2 years for compressor

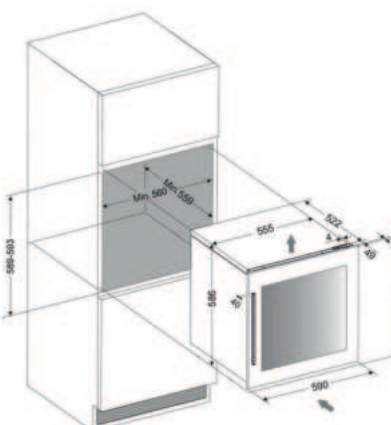


## PRIME-25

Black full glass DVP-25.65DB EAN: 5999558435479



596  
571  
590



Installation type	Fully integrated or undercounter
Bottle capacity (750mL Bordeaux bottles)	25
Type of opening	Handle
Type of hinges	Regular (Pivot)
Display type	TFT touch screen - same as a smart phone -
Cooling zones	2
Cooling ranges	5-10°C // 10-18°C
Operating instructions	Champagne bottle fit in between shelves
Heater	Yes
Installation requirements	Integrated ventilation system
Energy class	F
Power consumption	101 kWh/a
Rated power	220-240V, 50Hz, 0,6A
Gross dimensions (HxWxD) in mm	660x650x645
Product dimensions (HxWxD) in mm	596x590x571
Shelf	Telescopic wooden shelves
Noise level	36dB
Low vibration	Yes
Cooling type	Fan assisted cooling, compressor
Glass door	UV protected, 2 layers of glass + Low-E, reversible
Interior light	Multi LED light (white, amber, blue)
Wifi + Smart App	Yes
Warranty	3 years parts and labour + 2 years for compressor

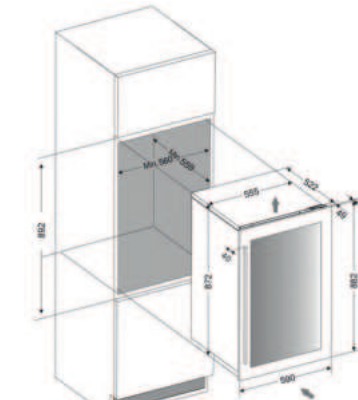


## PRIME-44

Black full glass DVP-44.120DB EAN: 5999558435486



886  
571  
590



Installation type	Fully integrated or undercounter
Bottle capacity (750mL Bordeaux bottles)	44
Type of opening	Handle
Type of hinges	Regular (Pivot)
Display type	TFT touch screen - same as a smart phone -
Cooling zones	2
Cooling ranges	5-10°C // 10-18°C
Operating instructions	Champagne bottle fit in between shelves
Heater	yes
Installation requirements	Integrated ventilation system
Energy class	F
Power consumption	106 kWh/a
Rated power	220-240V, 50Hz, 0,6A
Gross dimensions (HxWxD) in mm	925x640x640
Product dimensions (HxWxD) in mm	886x590x571
Shelf	Telescopic wooden shelves
Noise level	36dB
Low vibration	yes
Cooling type	Fan assisted cooling, compressor
Glass door	UV protected, 2 layers of glass + Low-E, reversible
Interior light	Multi LED light (white, amber, blue)
Wifi + Smart App	Yes
Warranty	3 years parts and labour + 2 years for compressor

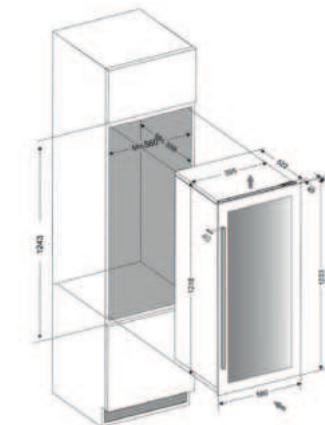


## PRIME-70

Black full glass DVP-70.185DB EAN: 5999558435622



1233  
571  
590



Installation type	Fully integrated
Bottle capacity (750mL Bordeaux bottles)	70
Type of opening	Handle
Type of hinges	Regular (Pivot)
Display type	TFT touch screen - same as a smart phone -
Cooling zones	2
Cooling ranges	5-10°C // 10-18°C
Operating instructions	Champagne bottle fit in between shelves
Heater	Yes
Installation requirements	Integrated ventilation system
Energy class	F
Power consumption	112 kWh/a
Rated power	220-240V, 50Hz, 0,6A
Gross dimensions (HxWxD) in mm	1275x650x660
Product dimensions (HxWxD) in mm	1233x590x571
Shelf	Telescopic wooden shelves
Noise level	36dB
Low vibration	Yes
Cooling type	Fan assisted cooling, compressor
Glass door	UV protected, 2 layers of glass + Low-E, reversible
Interior light	Multi LED light (white, amber, blue)
Wifi + Smart App	Yes
Warranty	3 years parts and labour + 2 years for compressor

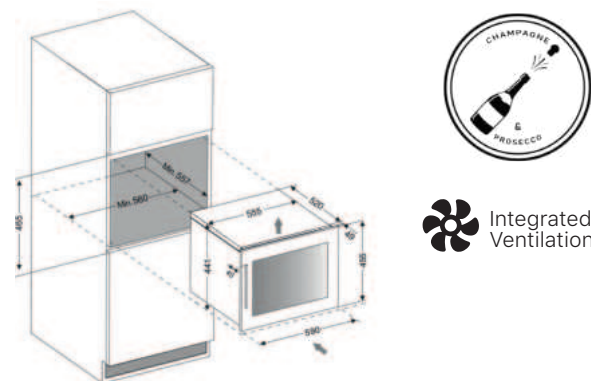




## SPIRIT-19

Black full glass DVS-19.50B EAN: 5999558435493  
 Stainless steel DVS-19.50SS EAN: 5999558435509  
 Matt black DVS-19.50MB EAN: 5999558435998  
 RAL colour DVS-19.50C EAN: 5999558436032

455  
560  
590



Scan me to know more:

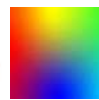
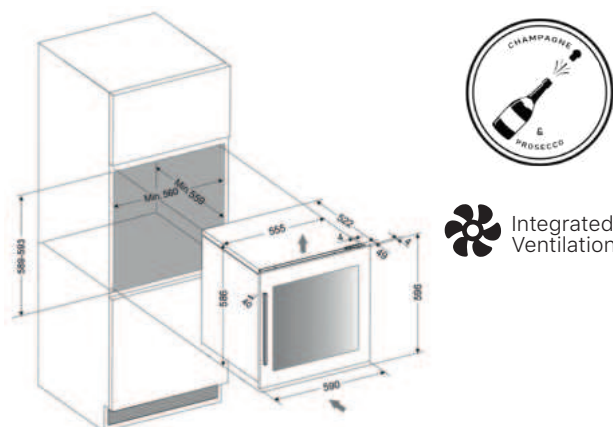
Installation type	Fully integrated or undercounter
Bottle capacity (750mL Bordeaux bottles)	19
Type of opening	Handle
Type of hinges	Regular (Pivot)
Display type	LCD touch screen
Cooling zones	1
Cooling ranges	5-18° C
Operating instructions	Champagne bottle fit in between shelves
Heater	No
Installation requirements	Integrated ventilation system
Energy class	F
Power consumption	100 kWh/a
Rated power	220-240V, 50Hz, 0,5A
Gross dimensions (HxWxD) in mm	500x660x650
Product dimensions (HxWxD) in mm	455x590x560
Shelf	Telescopic wooden shelves
Noise level	37dB
Low vibration	Yes
Cooling type	Fan assisted cooling, compressor
Glass door	UV protected, 2 layers of glass + Low-E, reversible
Interior light	Multi LED light (white, amber, blue)
Wifi + Smart App	Yes
Warranty	3 years parts and labour + 2 years for compressor



## SPIRIT-25

Black full glass DVS-25.65DB EAN: 5999558435516  
 Stainless steel DVS-25.65DSS EAN: 5999558435523  
 Matt black DVS-25.65DMB EAN: 5999558436001  
 RAL colour DVS-25.65DC EAN: 5999558436049

596  
571  
590



Scan me to know more:

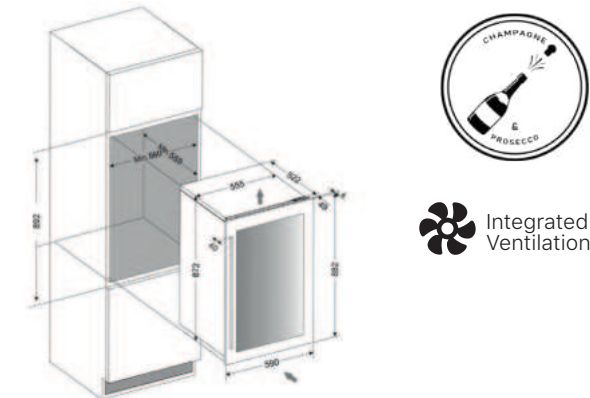
Installation type	Fully integrated or undercounter
Bottle capacity (750mL Bordeaux bottles)	25
Type of opening	Handle
Type of hinges	Regular (Pivot)
Display type	LCD touch screen
Cooling zones	2
Cooling ranges	5-10° C // 10-18° C
Operating instructions	Champagne bottle fit in between shelves
Heater	Yes
Installation requirements	Integrated ventilation system
Energy class	F
Power consumption	101 kWh/a
Rated power	220-240V, 50Hz, 0,6A
Gross dimensions (HxWxD) in mm	660x650x645
Product dimensions (HxWxD) in mm	596x590x571
Shelf	Telescopic wooden shelves
Noise level	36dB
Low vibration	Yes
Cooling type	Fan assisted cooling, compressor
Glass door	UV protected, 2 layers of glass + Low-E, reversible
Interior light	Multi LED light (white, amber, blue)
Wifi + Smart App	Yes
Warranty	3 years parts and labour + 2 years for compressor



## SPIRIT-44

Black full glass DVS-44.120DB EAN: 5999558435530  
 Stainless steel DVS-44.120DSS EAN: 5999558435547  
 Matt black DVS-44.120DMB EAN: 5999558436018  
 RAL colour DVS-44.120DC EAN: 5999558436056

886  
571  
590



Scan me to know more:

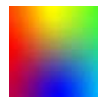
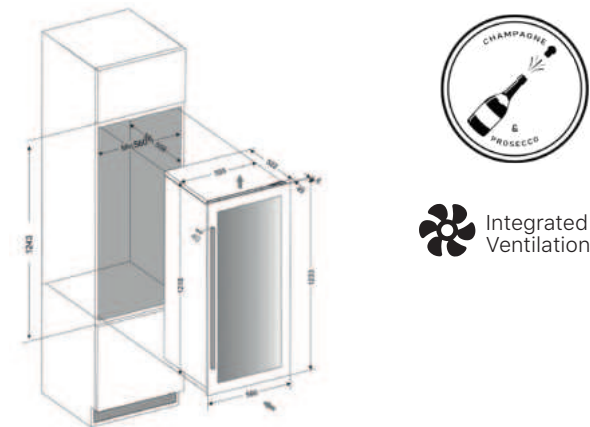
Installation type	Fully integrated or undercounter
Bottle capacity (750mL Bordeaux bottles)	44
Type of opening	Handle
Type of hinges	Regular (Pivot)
Display type	LCD touch screen
Cooling zones	2
Cooling ranges	5-10° C // 10-18° C
Operating instructions	Champagne bottle fit in between shelves
Heater	Yes
Installation requirements	Integrated ventilation system
Energy class	F
Power consumption	106 kWh/a
Rated power	220-240V, 50Hz, 0,6A
Gross dimensions (HxWxD) in mm	925x640x640
Product dimensions (HxWxD) in mm	886x590x571
Shelf	Telescopic wooden shelves
Noise level	36dB
Low vibration	Yes
Cooling type	Fan assisted cooling, compressor
Glass door	UV protected, 2 layers of glass + Low-E, reversible
Interior light	Multi LED light (white, amber, blue)
Wifi + Smart App	Yes
Warranty	3 years parts and labour + 2 years for compressor



## SPIRIT-70

Black full glass DVS-70.185DB EAN: 5999558435639  
 Stainless steel DVS-70.185DSS EAN: 5999558435646  
 Matt black DVS-70.185DMB EAN: 5999558436025  
 RAL colour DVS-70.185DC EAN: 5999558436063

1233  
571  
590



Scan me to know more:

Installation type	Fully integrated
Bottle capacity (750mL Bordeaux bottles)	70
Type of opening	Handle
Type of hinges	Regular (Pivot)
Display type	LCD touch screen
Cooling zones	2
Cooling ranges	5-10° C // 10-18° C
Operating instructions	Champagne bottle fit in between shelves
Heater	Yes
Installation requirements	Integrated ventilation system
Energy class	F
Power consumption	112 kWh/a
Rated power	220-240V, 50Hz, 0,6A
Gross dimensions (HxWxD) in mm	1275x650x660
Product dimensions (HxWxD) in mm	1233x590x571
Shelf	Telescopic wooden shelves
Noise level	36dB
Low vibration	Yes
Cooling type	Fan assisted cooling, compressor
Glass door	UV protected, 2 layers of glass + Low-E, reversible
Interior light	Multi LED light (white, amber, blue)
Wifi + Smart App	Yes
Warranty	3 years parts and labour + 2 years for compressor



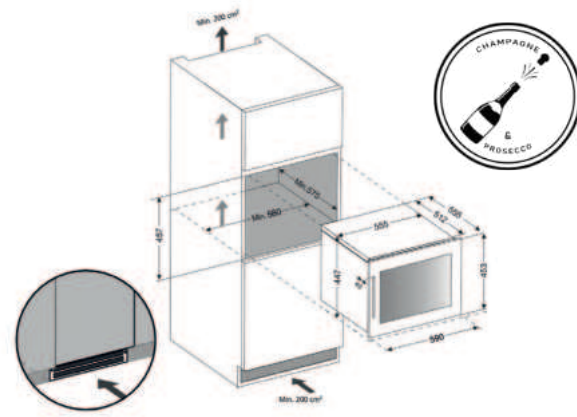


## JOY-24

Black full glass DXJ-24.51B EAN: 5999558435554



455  
559  
592

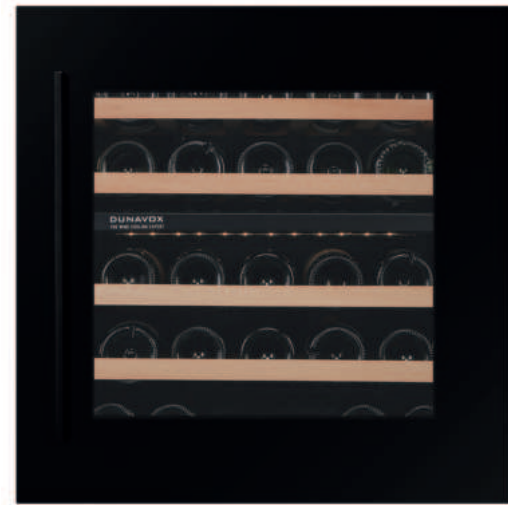


Installation type	Built-in only
Bottle capacity (750mL Bordeaux bottles)	24
Type of opening	Handle
Type of hinges	Regular (Pivot)
Display type	LED touch screen
Cooling zones	1
Cooling ranges	5-20°C
Operating instructions	Champagne bottle fit in between shelves
Heater	No
Installation requirements	Front and rear ventilation is needed
Energy class	G
Power consumption	118 kWh/a
Rated power	220-240V, 50Hz, 0,5A
Gross dimensions (HxWxD) in mm	550x660x670
Product dimensions (HxWxD) in mm	455x592x559
Shelf	Telescopic wooden shelves
Noise level	39dB
Low vibration	Yes
Cooling type	Fan assisted cooling, compressor
Glass door	UV protected, 2 layers of glass + Low-E, reversible
Interior light	Multi LED light (white, amber, blue)
Wifi + Smart App	No
Warranty	3 years parts and labour + 2 years for compressor

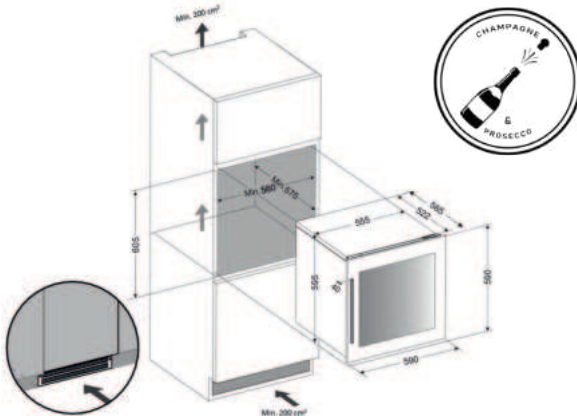


## JOY-26

Black full glass DXJ-26.69DB EAN: 5999558435561



598  
565  
590



Installation type	Built-in only
Bottle capacity (750mL Bordeaux bottles)	26
Type of opening	Handle
Type of hinges	Regular (Pivot)
Display type	LED touch screen
Cooling zones	2
Cooling ranges	10-20°C // 5-12°C
Operating instructions	Champagne bottle fit in between shelves
Heater	Yes
Installation requirements	Front and rear ventilation is needed
Energy class	G
Power consumption	124 kWh/a
Rated power	220-240V, 50Hz, 0,5A
Gross dimensions (HxWxD) in mm	690x660x670
Product dimensions (HxWxD) in mm	598x590x565
Shelf	Telescopic wooden shelves
Noise level	38dB
Low vibration	Yes
Cooling type	Fan assisted cooling, compressor
Glass door	UV protected, 2 layers of glass + Low-E, reversible
Interior light	Multi LED light (white, amber, blue)
Wifi + Smart App	No
Warranty	3 years parts and labour + 2 years for compressor

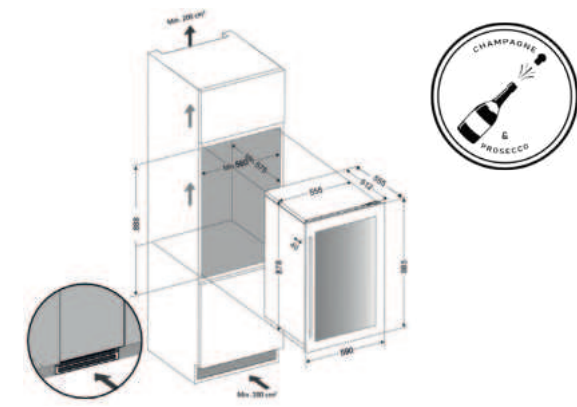


## JOY-42

Black full glass DXJ-42.100DB EAN: 5999558435578



885  
559  
592

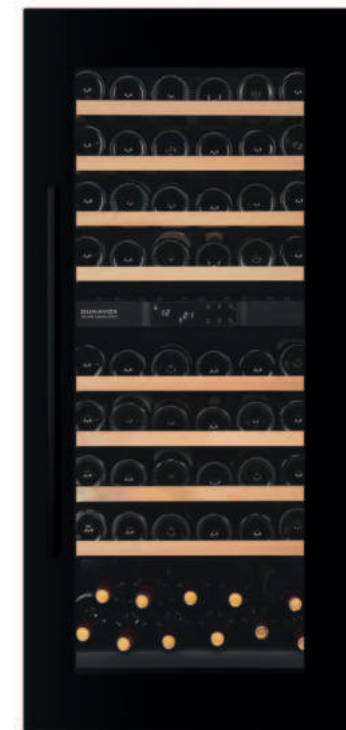


Installation type	Built-in only
Bottle capacity (750mL Bordeaux bottles)	42
Type of opening	Handle
Type of hinges	Regular (Pivot)
Display type	LED touch screen
Cooling zones	2
Cooling ranges	5-20°C // 5-20°C
Operating instructions	Champagne bottle fit in between shelves
Heater	Yes
Installation requirements	Front and rear ventilation is needed
Energy class	G
Power consumption	126 kWh/a
Rated power	220-240V, 50Hz, 0,6A
Gross dimensions (HxWxD) in mm	980x660x670
Product dimensions (HxWxD) in mm	885x592x559
Shelf	Telescopic wooden shelves
Noise level	40dB
Low vibration	Yes
Cooling type	Fan assisted cooling, compressor
Glass door	UV protected, 2 layers of glass + Low-E, reversible
Interior light	Multi LED light (white, amber, blue)
Wifi + Smart App	No
Warranty	3 years parts and labour + 2 years for compressor

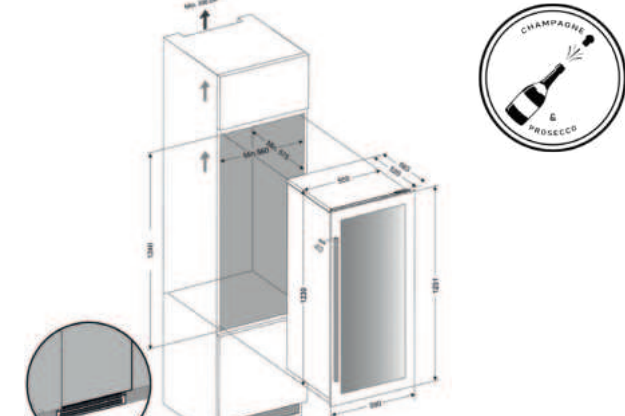


## JOY-65

Black full glass DXJ-65.154DB EAN: 5999558435585



1233  
571  
590



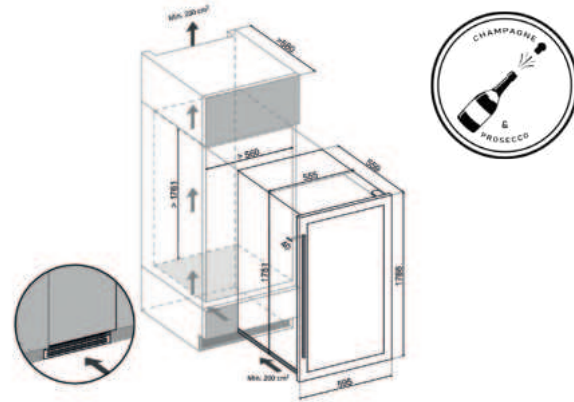
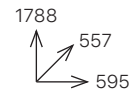
Installation type	Built-in only
Bottle capacity (750mL Bordeaux bottles)	65
Type of opening	Handle
Type of hinges	Regular (Pivot)
Display type	LED touch screen
Cooling zones	2
Cooling ranges	5-20°C // 5-20°C
Operating instructions	Champagne bottle fit in between shelves
Heater	Yes
Installation requirements	Front and rear ventilation is needed
Energy class	G
Power consumption	149 kWh/a
Rated power	220-240V, 50Hz, 0,7A
Gross dimensions (HxWxD) in mm	1445x680x690
Product dimensions (HxWxD) in mm	1233x590x571
Shelf	Telescopic wooden shelves
Noise level	36dB
Low vibration	Yes
Cooling type	Fan assisted cooling, compressor
Glass door	UV protected, 2 layers of glass + Low-E, reversible
Interior light	Multi LED light (white, amber, blue)
Wifi + Smart App	No
Warranty	3 years parts and labour + 2 years for compressor





# JOY-89

Black full glass DX-89.246TB EAN: 5999558433444  
 Stainless steel DX-89.246TSS EAN: 5999558432690  
 Matt black DX-89.246TMB EAN: 5999558436278  
 RAL colour DX-89.246TC EAN: 5999558436285



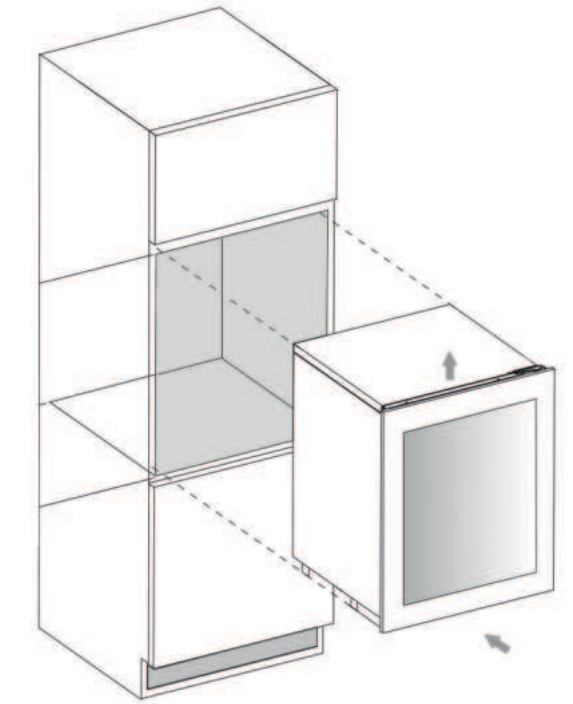
	Installation type	Built-in only
	Bottle capacity (750mL Bordeaux bottles)	100
	Type of opening	Handle
	Type of hinges	Regular (Pivot)
	Display type	LED touch screen
	Cooling zones	3
	Cooling ranges	5-18° C // 5-10° C // 10-18° C
	Operating instructions	Champagne bottle fit in between shelves
	Heater	Yes
	Installation requirements	Front and rear ventilation is needed
	Energy class	G
	Power consumption	162 kWh/a
	Rated power	220-240V, 50Hz, 0,8A
	Gross dimensions (HxWxD) in mm	1865x655x660
	Product dimensions (HxWxD) in mm	1788x595x557
	Shelf	Telescopic wooden shelves
	Noise level	38dB
	Low vibration	Yes
	Cooling type	Fan assisted cooling, compressor
	Glass door	UV protected, 2 layers of glass +Low-E, reversible
	Interior light	White
	Wifi + Smart App	No
	Warranty	3 years parts and labour + 2 years for compressor

100  
 38dB  
 5-18°C  
 5-10°C  
 10-18°C



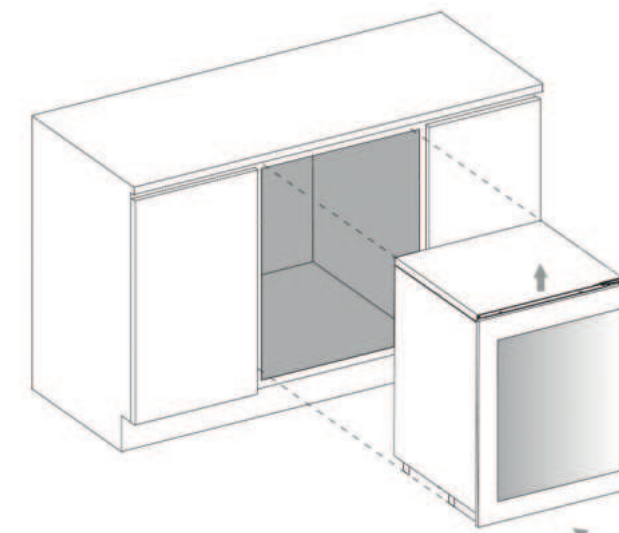
## FULLY INTEGRATED

Thanks to integrated ventilation, the installation possibilities for wine coolers have never been seen before. Whether with handles handle-less wine coolers can be quickly and easily built into a kitchen cabinet or countertop. (Only Horizon, Prime, Noble and Spirit product ranges)



## UNDERCOUNTER

Thanks to integrated ventilation, the installation possibilities for wine coolers have never been seen before. Whether with handles handle-less wine coolers can be quickly and easily built into a kitchen cabinet or countertop. (Only Horizon, Prime, Noble and Spirit product ranges)



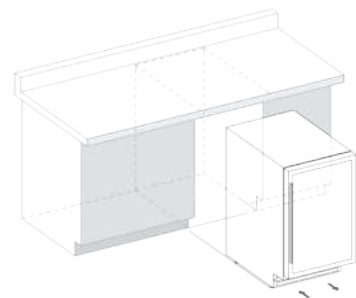


# DUNAVOX FLOW

The undercounter range



DUNAVOX FLOW



## UNDERCOUNTER INSTALLATION

- 820 – 880mm standard height models
- width varies between 160-600mm

**3**

**THREE YEAR WARRANTY**  
Parts & labour  
+2 years for compressor

Front grille ventilation: MUST be plinth vented

## KEY FEATURES

### PUSH-TO-OPEN

Gently push the door to access the bottles inside, in keeping with the handleless kitchen trend.



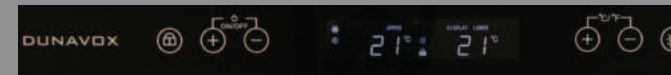
### LED TOUCH SCREEN

The LED display allows a quick and easy use to set and check the desired temperature or switch the lights on and off.



### LCD TOUCH SCREEN

Smooth and detailed touch screen display that show various functions such as inner airflow and light colour.



### FRONT GRILLE VENTILATION

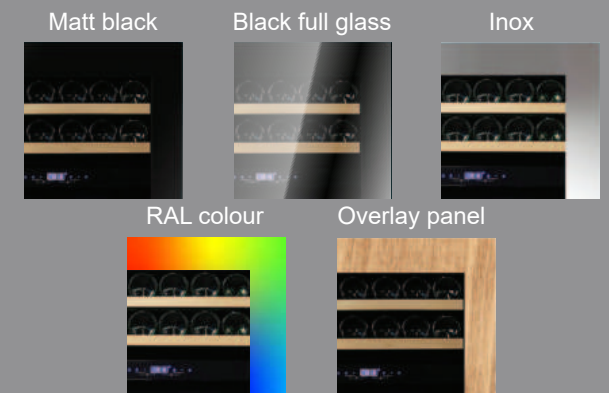
The ventilation grille must be kept free; the warm air produced by the compressor is expelled through one side and the cooler air is drawn in on the other via a set of silent fans which enable the cooler to ventilate correctly.

If running a plinth in front of the wine cooler, a grille must be installed into the plinth itself to ensure adequate ventilation and any heat sources near to the cooler will likely reduce the life span of the fridge, namely the compressor itself.



## VARIOUS DOOR/ FINISH OPTIONS

Black full glass door, stainless steel door, matt black door, RAL colour door, overlay panel – a finish to match any kitchen style or colour.



## HIDDEN HANDLE DOOR

Inkeeping with the latest design trends with undercounter wine coolers, a small range of our coolers are available with a recessed handle.



## DOOR HANDLE

Black door with black handle, Inox door with stainless steel handle, the classic door opening method. The handle allows manual opening and closing of the door.



### 15 CM WIDE

DAUF-9.22B  
DAUF-9.22SS

### 30 CM WIDE

DAUF-17.58DB  
DAUF-17.58DSS  
DAUF-17.58DBH  
DAUF-19.58B  
DAUF-19.58SS

### 40 CM WIDE

DAUF-32.83B  
DAUF-32.83SS  
DAUF-32.78DB  
DAUF-32.78DSS

### 50 CM WIDE

DAUF-38.100DB  
DAUF-38.100DSS  
DAUF-38.100DB.TO



### 60 CM WIDE

DAUF-39.121DB  
DAUF-39.121DSS

### 60 CM WIDE

DAUF-39.119DB.TO  
DAUF-39.119.DOP.TO

### 60 CM WIDE

DAUF-45.125DB.TO  
DAUF-45.125DSS.TO  
DAUF-45.125DOP.TO

### 60 CM WIDE

DAUF-46.138B  
DAUF-46.138SS

### 60 CM WIDE

DAUF-46.145DB  
DAUF-46.145DSS

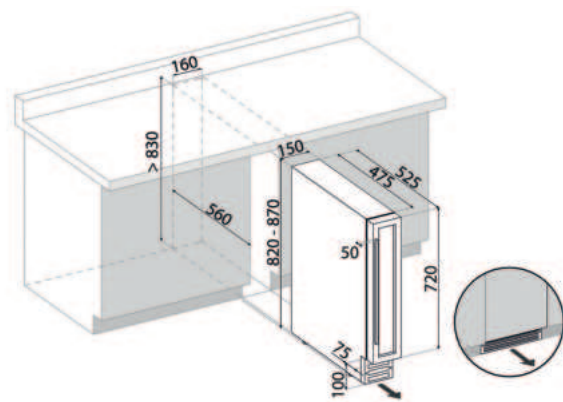
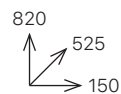
### 60 CM WIDE

DAUF-46.145DBH



## FLOW-9

Black full glass DAUF-9.22B EAN: 5999558434755  
 Stainless steel DAUF-9.22SS EAN: 5999558434762  
 Matt black DAUF-9.22MB EAN: 5999558435721  
 RAL colour DAUF-9.22C EAN: 5999558435738

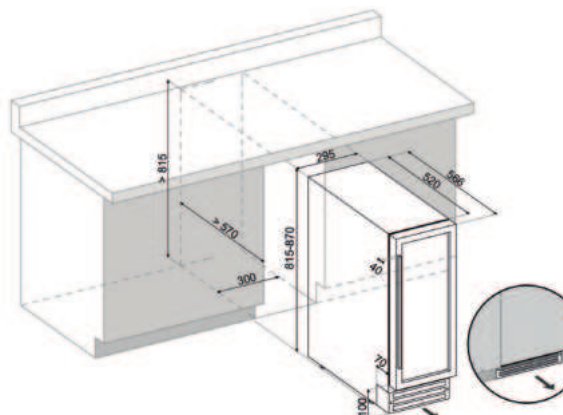


	Installation type	Undercounter
	Bottle capacity (750mL Bordeaux bottles)	9 (7 lying, 2 standing)
	Type of opening	Handle
	Type of hinges	Regular (Pivot)
	Display type	LED touch screen
	Cooling zones	1
	Cooling ranges	5-20°C
	Operating instructions	Only Bordeaux bottle fits to the unit
	Heater	No
	Installation requirements	Front plinth ventilation
	Energy class	G
	Power consumption	106 kWh/a
	Rated power	220-240V, 50Hz, 0,4A
	Gross dimensions (HxWxD) in mm	845x185x580mm
	Product dimensions (HxWxD) in mm	820x150x525mm
	Feet	Adjustable between 10-70mm* height varies between models
	Shelf	Fixed wooden shelves
	Noise level	38dB
	Low vibration	Yes
	Cooling type	Fan assisted cooling, compressor
	Glass door	UV protected + 3 layers, reversible
	Interior light	White LED light
	Warranty	3 years parts and labour + 2 years for compressor



## FLOW-17

Black full glass DAUF-17.58DB EAN: 5999558434656  
 Stainless steel DAUF-17.58DSS EAN: 5999558434670  
 Matt black DAUF-17.58DMB EAN: 5999558435745  
 RAL colour DAUF-17.58DC EAN: 5999558435752

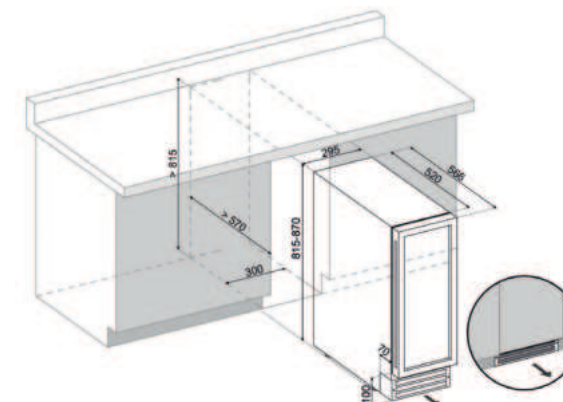


	Installation type	Undercounter
	Bottle capacity (750mL Bordeaux bottles)	17
	Type of opening	Handle
	Type of hinges	Regular (Pivot)
	Display type	LED touch screen
	Cooling zones	2
	Cooling ranges	5-12°C // 12-20°C
	Operating instructions	Lower zone can store 2 standing bottles by shelf swap
	Heater	Yes
	Installation requirements	Front plinth ventilation
	Energy class	G
	Power consumption	135 kWh/a
	Rated power	220-240V, 50Hz, 0,65A
	Gross dimensions (HxWxD) in mm	855x330x635
	Product dimensions (HxWxD) in mm	815x295x566
	Feet	Adjustable between 10-70mm* height varies between models
	Shelf	Sliding wooden shelves
	Noise level	39dB
	Low vibration	Yes
	Cooling type	Fan assisted cooling, compressor
	Glass door	UV protected + 3 layers, reversible
	Interior light	Blue LED light
	Warranty	3 years parts and labour + 2 years for compressor



## FLOW-17H

Black full glass DAUF-17.58DBH EAN: 5999558435653

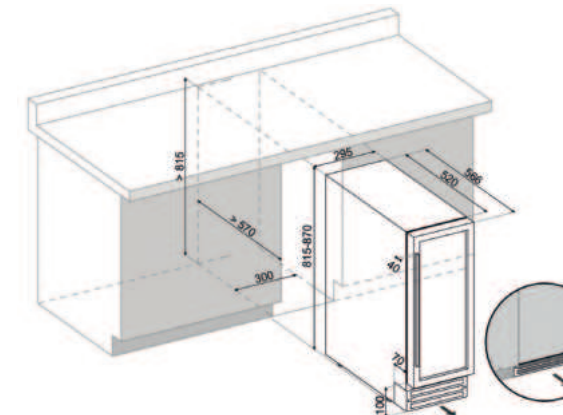


	Installation type	Undercounter
	Bottle capacity (750mL Bordeaux bottles)	17
	Type of opening	Hidden handle
	Type of hinges	Regular (Pivot)
	Display type	LED touch screen
	Cooling zones	2
	Cooling ranges	5-12°C // 12-20°C
	Operating instructions	Lower zone can store 2 standing bottles by shelf swap
	Heater	Yes
	Installation requirements	Front plinth ventilation
	Energy class	G
	Power consumption	135 kWh/a
	Rated power	220-240V, 50Hz, 0,65A
	Gross dimensions (HxWxD) in mm	855x330x635
	Product dimensions (HxWxD) in mm	815x295x566
	Feet	Adjustable between 10-70mm* height varies between models
	Shelf	Sliding wooden shelves
	Noise level	39dB
	Low vibration	Yes
	Cooling type	Fan assisted cooling, compressor
	Glass door	UV protected + 3 layers, reversible
	Interior light	Blue LED light
	Warranty	3 years parts and labour + 2 years for compressor



## FLOW-19

Black full glass DAUF-19.58B EAN: 5999558434687  
 Stainless steel DAUF-19.58SS EAN: 5999558434694  
 Matt black DAUF-19.58MB EAN: 5999558435769  
 RAL colour DAUF-19.58C EAN: 5999558435776



	Installation type	Undercounter
	Bottle capacity (750mL Bordeaux bottles)	19
	Type of opening	Handle, reversible
	Type of hinges	Regular (Pivot)
	Display type	LED touch screen
	Cooling zones	1
	Cooling ranges	5-20°C
	Operating instructions	-
	Heater	Yes
	Installation requirements	Front plinth ventilation
	Energy class	G
	Power consumption	118 kWh/a
	Rated power	220-240V, 50Hz, 0,7A
	Gross dimensions (HxWxD) in mm	855x330x635
	Product dimensions (HxWxD) in mm	815x295x566
	Feet	Adjustable between 10-70mm* height varies between models
	Shelf	Sliding wooden shelves
	Noise level	39dB
	Low vibration	Yes
	Cooling type	Fan assisted cooling, compressor
	Glass door	UV protected + 3 layers, reversible
	Interior light	Blue LED light
	Warranty	3 years parts and labour + 2 years for compressor



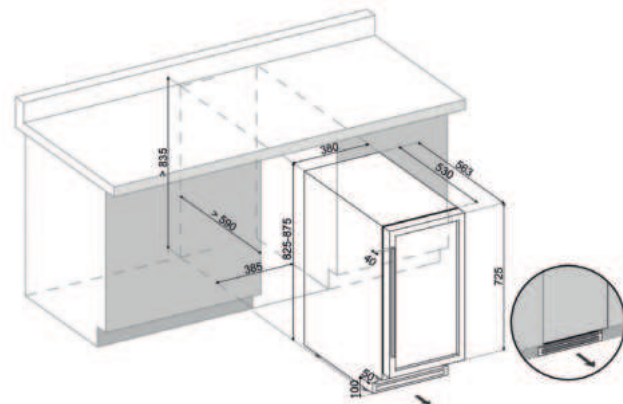


## FLOW-32

Black full glass DAUF-32.83B EAN: 5999558434700  
 Stainless steel DAUF-32.83SS EAN: 5999558434717  
 Matt black DAUF-32.83MB EAN: 5999558435783  
 RAL colour DAUF-32.83C EAN: 5999558435790



825  
563  
380



	Installation type	Undercounter or freestanding
	Bottle capacity (750mL Bordeaux bottles)	32
	Type of opening	Handle
	Type of hinges	Regular (Pivot)
	Display type	LED touch screen
	Cooling zones	1
	Cooling ranges	5-18° C
	Operating instructions	-
	Heater	No
	Installation requirements	Front plinth ventilation
	Energy class	F
	Power consumption	100 kWh/a
	Rated power	220-240V, 50Hz, 0,5A
	Gross dimensions (HxWxD) in mm	845x415x625
	Product dimensions (HxWxD) in mm	825x380x563
	Feet	Adjustable between 10-70mm* height varies between models
	Shelf	Wooden shelves with rails
	Noise level	39dB
	Low vibration	Yes
	Cooling type	Fan assisted cooling, compressor
	Glass door	UV protected + 2 layers and Low-E coating, reversible
	Interior light	Multi LED light (white, amber, blue)
	Warranty	3 years parts and labour + 2 years for compressor

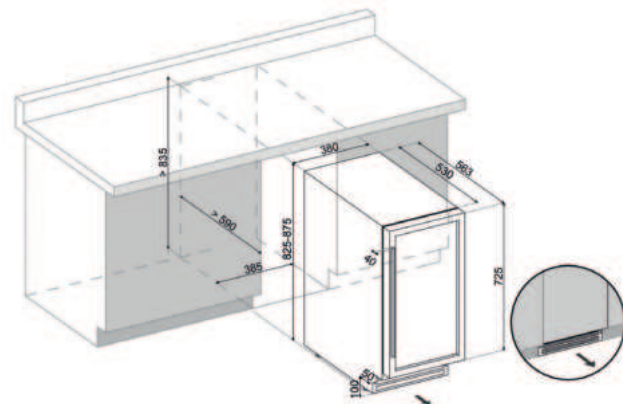


## FLOW-32D

Black full glass DAUF-32.78DB EAN: 5999558434861  
 Stainless steel DAUF-32.78DSS EAN: 5999558434878  
 Matt black DAUF-32.78DMB EAN: 5999558435806  
 RAL colour DAUF-32.78DC EAN: 5999558435813



825  
563  
380



	Installation type	Undercounter or freestanding
	Bottle capacity (750mL Bordeaux bottles)	32
	Type of opening	Handle
	Type of hinges	Regular (Pivot)
	Display type	LED touch screen
	Cooling zones	2
	Cooling ranges	10-18° C // 5-10° C
	Operating instructions	-
	Heater	Yes
	Installation requirements	Front plinth ventilation
	Energy class	G
	Power consumption	125 kWh/a
	Rated power	220-240V, 50Hz, 0,5A
	Gross dimensions (HxWxD) in mm	845x415x625
	Product dimensions (HxWxD) in mm	825x380x563
	Feet	Adjustable between 10-70mm* height varies between models
	Shelf	Wooden shelves with rails
	Noise level	39dB
	Low vibration	Yes
	Cooling type	Fan assisted cooling, compressor
	Glass door	UV protected + 2 layers + Low-E coating
	Interior light	Multi LED light (white, amber, blue)
	Warranty	3 years parts and labour + 2 years for compressor

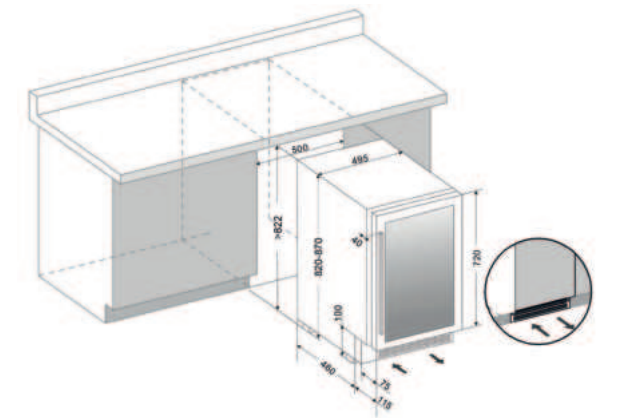


## FLOW-38

Black full glass DAUF-38.100DB EAN: 5999558435035  
 Stainless steel DAUF-38.100DSS EAN: 5999558435042  
 Matt black DAUF-38.100DMB EAN: 5999558435820  
 RAL colour DAUF-38.100DC EAN: 5999558435837



820  
575  
495



	Installation type	Undercounter or freestanding
	Bottle capacity (750mL Bordeaux bottles)	38
	Type of opening	Handle
	Type of hinges	Regular (Pivot)
	Display type	LED touch screen
	Cooling zones	2
	Cooling ranges	5-20° C // 5-20° C
	Operating instructions	Same temperature can be set in both zones
	Heater	Yes
	Installation requirements	Front plinth ventilation
	Energy class	G
	Power consumption	141 kWh/a
	Rated power	220-240V, 50Hz, 1,2A
	Gross dimensions (HxWxD) in mm	880x560x660
	Product dimensions (HxWxD) in mm	820x495x575
	Feet	Adjustable between 10-70mm* height varies between models
	Shelf	Sliding wooden shelves
	Noise level	40dB
	Low vibration	Yes
	Cooling type	Fan assisted cooling, compressor
	Glass door	UV protected + 3 layers, reversible
	Interior light	Multi LED light (white, amber, blue)
	Warranty	3 years parts and labour + 2 years for compressor

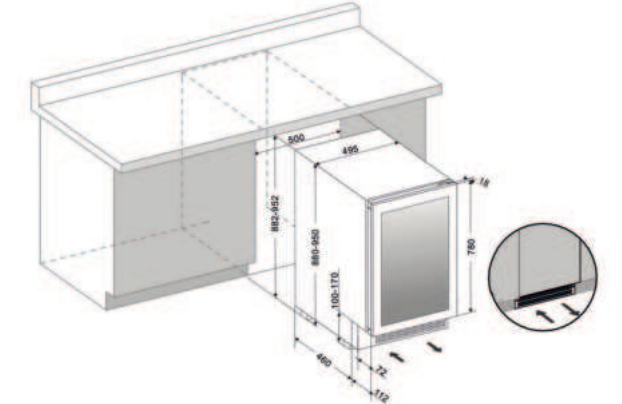


## FLOW-38.TO

Black full glass DAUF-38.100DB.TO EAN: 5999558435059



880  
575  
495



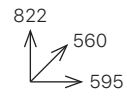
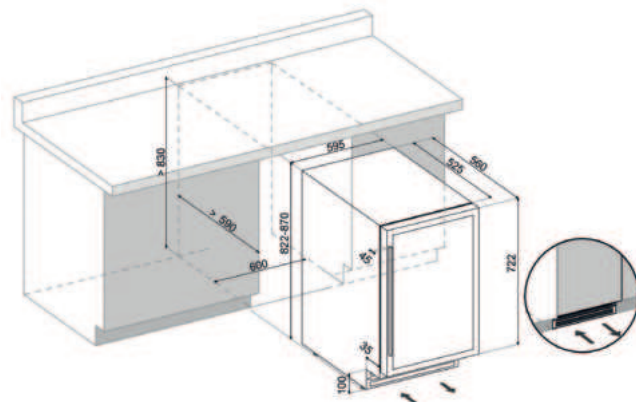
	Installation type	Undercounter or freestanding
	Bottle capacity (750mL Bordeaux bottles)	38
	Type of opening	Push to open
	Type of hinges	Soft closing Hettich hinge
	Display type	LED touch screen
	Cooling zones	2
	Cooling ranges	5-20° C // 5-20° C
	Operating instructions	Same temperature can be set in both zones
	Heater	Yes
	Installation requirements	Front plinth ventilation
	Energy class	G
	Power consumption	141 kWh/a
	Rated power	220-240V, 50Hz, 1,2A
	Gross dimensions (HxWxD) in mm	940x560x660
	Product dimensions (HxWxD) in mm	880x495x575
	Feet	Adjustable between 10-70mm* height varies between models
	Shelf	Sliding wooden shelf
	Noise level	40dB
	Low vibration	Yes
	Cooling type	Fan assisted cooling, compressor
	Glass door	UV protected + 3 layers, reversible
	Interior light	Multi LED light (white, amber, blue)
	Warranty	3 years parts and labour + 2 years for compressor





## FLOW-39

Black full glass DAUF-39.121DB EAN: 5999558434724  
 Stainless steel DAUF-39.121DSS EAN: 5999558434731  
 Matt black DAUF-39.121DMB EAN: 5999558435844  
 RAL colour DAUF-39.121DC EAN: 5999558435851

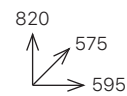
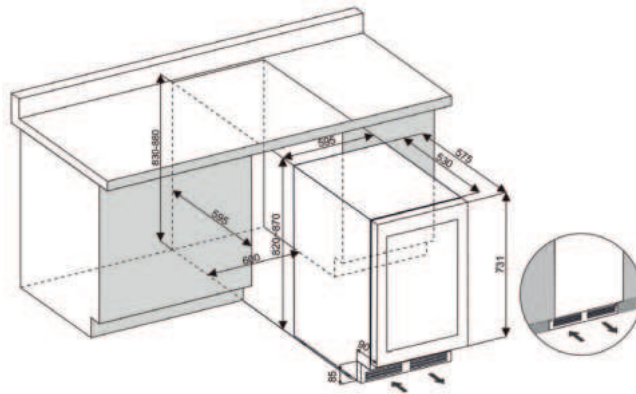


Installation type	Undercounter or freestanding
Bottle capacity (750mL Bordeaux bottles)	39
Type of opening	Handle
Type of hinges	Regular (Pivot)
Display type	LED touch screen
Cooling zones	2
Cooling ranges	5-10° C // 10-18° C
Operating instructions	-
Heater	Yes
Installation requirements	Front plinth ventilation
Energy class	F
Power consumption	103 kWh/a
Rated power	220-240V, 50Hz, 0,6A
Gross dimensions (HxWxD) in mm	870x655x665
Product dimensions (HxWxD) in mm	822x595x560
Feet	Adjustable between 10-70mm* height varies between models
Shelf	Wooden shelves with rails
Noise level	38 dB
Low vibration	Yes
Cooling type	Fan assisted cooling, compressor
Glass door	UV protected + 2 layers + Low-E coating
Interior light	Multi LED light (white, amber, blue)
Warranty	3 years parts and labour + 2 years for compressor



## FLOW-39.TO

Black full glass DAUF-39.119DB.TO EAN: 5999558435677  
 Overlay panel DAUF-39.119DOP.TO EAN: 5999558436315

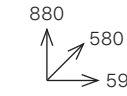
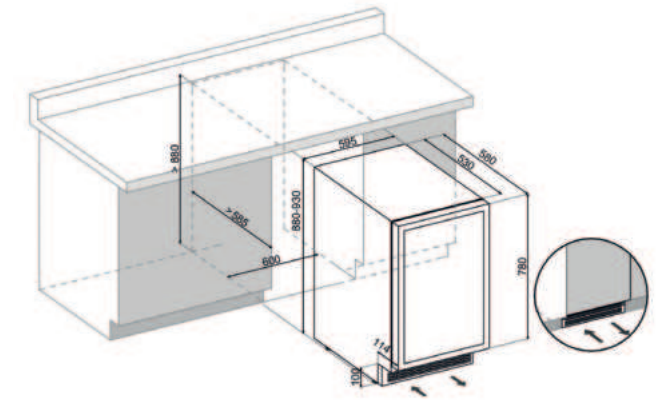


Installation type	Undercounter or freestanding
Bottle capacity (750mL Bordeaux bottles)	39
Type of opening	Push to open
Type of hinges	Regular (Pivot)
Display type	LED touch screen
Cooling zones	2
Cooling ranges	5-12° C // 12-18° C
Operating instructions	The temperature of both zones can be adjusted independently
Heater	Yes
Installation requirements	Front plinth ventilation
Energy class	G
Power consumption	127 kWh/a
Rated power	220-240V, 50Hz, 0,6A
Gross dimensions (HxWxD) in mm	885x660x655
Product dimensions (HxWxD) in mm	822x595x560
Feet	Adjustable between 10-70mm* height varies between models
Shelf	Telescopic wooden shelves
Noise level	38dB
Low vibration	Yes
Cooling type	Fan assisted cooling, compressor
Glass door	UV protected, 2 layers + Low-E coating, reversible
Interior light	Multi LED light (white, amber, blue)
Warranty	3 years parts and labour + 2 years for compressor



## FLOW-45

Black full glass DAUF-45.125DB.TO EAN: 5999558434540  
 Stainless steel DAUF-45.125DSS.TO EAN: 5999558434557  
 Overlay panel DAUF-45.125DOP.TO EAN: 5999558435011  
 Matt black DAUF-45.125DMB.TO EAN: 5999558436292  
 RAL colour DAUF-45.125DC.TO EAN: 5999558436308

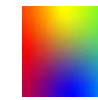
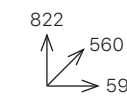
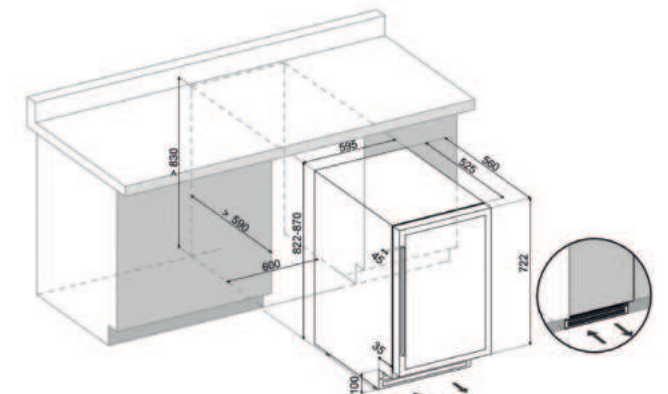


Installation type	Undercounter or freestanding
Bottle capacity (750mL Bordeaux bottles)	45
Type of opening	Push to open
Type of hinges	Soft closing Hettich hinge
Display type	LED touch screen
Cooling zones	2
Cooling ranges	5-20° C // 5-20° C
Operating instructions	Same temperature can be set in both zones
Heater	Yes
Installation requirements	Front plinth ventilation
Energy class	F
Power consumption	115 kWh/a
Rated power	220-240V, 50Hz, 1,2A
Gross dimensions (HxWxD) in mm	940x660x660
Product dimensions (HxWxD) in mm	880x595x580
Feet	Adjustable between 10-70mm* height varies between models
Shelf	Wooden shelves with rails
Noise level	36dB
Low vibration	yes
Cooling type	Fan assisted cooling, compressor
Glass door	UV protected + 3 layers, reversible
Interior light	Multi LED light (white, amber, blue)
Warranty	3 years parts and labour + 2 years for compressor



## FLOW-46

Black full glass DAUF-46.138B EAN: 5999558434748  
 Stainless steel DAUF-46.138SS EAN: 5999558434885  
 Matt black DAUF-46.138MB EAN: 5999558435868  
 RAL colour DAUF-46.138C EAN: 5999558435875



Installation type	Undercounter or freestanding
Bottle capacity (750mL Bordeaux bottles)	46
Type of opening	Handle
Type of hinges	Regular (Pivot)
Display type	LED touch screen
Cooling zones	1
Cooling ranges	5-18° C
Operating instructions	-
Heater	No
Installation requirements	Front plinth ventilation
Energy class	G
Power consumption	130 kWh/a
Rated power	220-240V, 50Hz, 0,55A
Gross dimensions (HxWxD) in mm	870x655x665
Product dimensions (HxWxD) in mm	822x595x560
Feet	Adjustable between 10-70mm* height varies between models
Shelf	Wooden shelves with rails
Noise level	39dB
Low vibration	Yes
Cooling type	Fan assisted cooling, compressor
Glass door	UV protected + 2 layers + Low-E coating
Interior light	Multi LED light (white, amber, blue)
Warranty	3 years parts and labour + 2 years for compressor



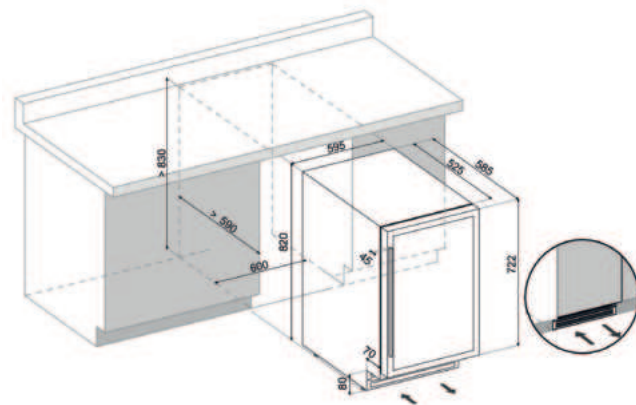








## FLOW-46D

Black full glass DAUF-46.145DB EAN: 5999558434892  
 Stainless steel DAUF-46.145DSS EAN: 5999558434908  
 Matt black DAUF-46.145DMB EAN: 5999558435264  
 RAL colour DAUF-46.145DC EAN: 5999558435882



820  
585  
595



	Installation type	Undercounter or freestanding
	Bottle capacity (750mL Bordeaux bottles)	46
	Type of opening	Handle
	Type of hinges	Regular (Pivot)
	Display type	LCD touch screen
	Cooling zones	2
	Cooling ranges	5-12° C // 12-20° C
	Operating instructions	-
	Heater	Yes
	Installation requirements	Front plinth ventilation
	Energy class	G
	Power consumption	155 kWh/a
	Rated power	220-240V, 50Hz, 0,4A
	Gross dimensions (HxWxD) in mm	874x660x625
	Product dimensions (HxWxD) in mm	820x595x585
	Feet	Adjustable between 10-70mm* height varies between models
	Shelf	Telescopic wooden shelves
	Noise level	39dB
	Low vibration	Yes
	Cooling type	Fan assisted cooling, compressor
	Glass door	UV protected + 3 layers of glass, reversible
	Interior light	Multi LED light (white, amber, blue)
	Warranty	3 years parts and labour + 2 years for compressor

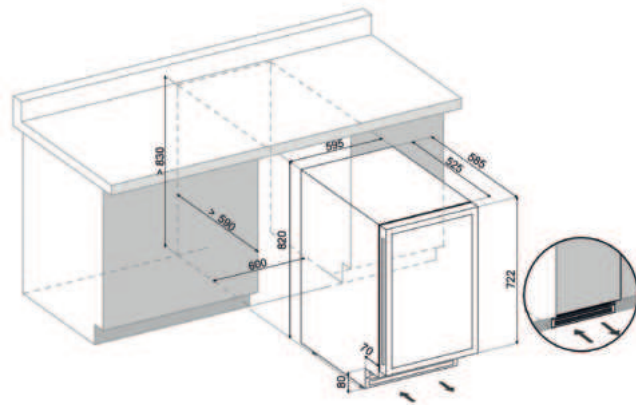









## FLOW-46H

Black full glass DAUF-46.145DBH EAN: 5999558435660



820  
585  
595



	Installation type	Undercounter or freestanding
	Bottle capacity (750mL Bordeaux bottles)	46
	Type of opening	Hidden handle
	Type of hinges	Regular (Pivot)
	Display type	LCD touch screen
	Cooling zones	2
	Cooling ranges	5-12° C // 12-20° C
	Operating instructions	-
	Heater	Yes
	Installation requirements	Front plinth ventilation
	Energy class	G
	Power consumption	155 kWh/a
	Rated power	220-240V, 50Hz, 0,4A
	Gross dimensions (HxWxD) in mm	874x660x625
	Product dimensions (HxWxD) in mm	820x595x585
	Feet	Adjustable between 10-70mm* height varies between models
	Shelf	Telescopic wooden shelves
	Noise level	39dB
	Low vibration	Yes
	Cooling type	Fan assisted cooling, compressor
	Glass door	UV protected + 3 layers of glass, reversible
	Interior light	Multi LED light (white, amber, blue)
	Warranty	3 years parts and labour + 2 years for compressor





# DUNAVOX GRANDE

## High bottle capacity range



### INTEGRATED INSTALLATION

- high storage capacity
- it can also be used free standing

**3**

**THREE YEAR WARRANTY**  
Parts & labour  
+2 years for compressor



**120 CM HIGH**  
DX-94.270DBK



**120 CM HIGH**  
DX-94.270SDSK



**167 CM HIGH**  
DX-108.330DB  
DX-108.330DSS



**177 CM HIGH**  
DX-166.428DBK  
DX-166.428SDSK



**177 CM HIGH**  
DX-181.490DBK  
DX-181.490SDSK



**183 CM HIGH**  
DX-194.490BK  
DX-194.490SSK

## KEY FEATURES

### SINGLE AND DUAL TEMPERATURE ZONES

Dunavox wine coolers are available with one or two cooling zones. Configuring the desired temperature is easy at single, dual or even three cooling zone wine coolers.



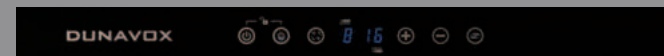
### TELESCOPIC WOODEN SHELVES

Fully extendable, smooth sliding, telescopic shelves provide full visibility and access to all bottles of your collection. Access your wines easily with shelving that pulls all the way out.



### LED TOUCH SCREEN

The LED display allows a quick and easy use to set and check the desired temperature or switch the lights on and off.



### FRONT GRILLE VENTILATION

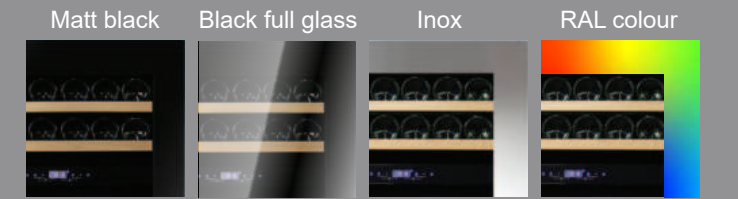
The ventilation grille must be kept free; the warm air produced by the compressor is expelled through one side and the cooler air is drawn in on the other via a set of silent fans which enable the cooler to ventilate correctly.

If running a plinth in front of the wine cooler, a grille must be installed into the plinth itself to ensure adequate ventilation and any heat sources near to the cooler will likely reduce the life span of the fridge, namely the compressor itself.



### VARIOUS DOOR/ FINISH OPTIONS

Black full glass door, stainless steel door, matt black door, RAL colour door, overlay panel – a finish to match any kitchen style or colour.



### INTEGRATED DOOR LOCK

Child-safe lock prevents unauthorized access to contents and temperature controls; suitable for either home or commercial restaurant use. All lockable wine coolers will lock from the bottom (REMOVE and use regular padlock style keys to keep the wines secure). Most wine coolers will come with two keys and most wine cabinet owners will opt to carry one and keep another in a safe place in their home.



### HIDDEN HANDLE DOOR

Inkeeping with the latest design trends with undercounter wine coolers, a small range of our coolers are available with a recessed handle.



### DOOR HANDLE

Black door with black handle, Inox door with stainless steel handle, the classic door opening method. The handle allows manual opening and closing of the door.



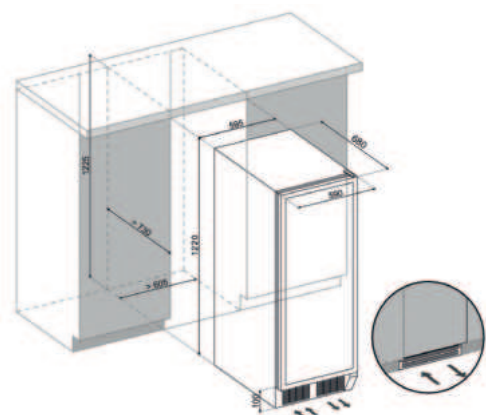


## GRANDE-94H

Black full glass DX-94.270DBK EAN: 5999558431563



1220  
680  
595



Installation type	Freestanding or built-in
Bottle capacity (750mL Bordeaux bottles)	94
Type of opening	Hidden handle
Type of hinges	Regular (Pivot)
Display type	LED touch screen
Cooling zones	2
Cooling ranges	5-12° C // 12-20° C
Operating instructions	Can be built-in, do not cover front grill
Heater	Yes
Installation requirements	Front grille ventilation
Energy class	G
Power consumption	159 kWh/a
Rated power	220-240V, 50Hz, 0,86A
Gross dimensions (HxWxD) in mm	1260x660x760
Product dimensions (HxWxD) in mm	1220x595x680
Shelf	Telescopic wooden shelves
Noise level	39dB
Low vibration	Yes
Cooling type	Fan assisted cooling, compressor
Glass door	UV protected, 3 layers of glass, reversible
Interior light	Blue LED light
Wifi	No
Warranty	3 years parts and labour + 2 years for compressor

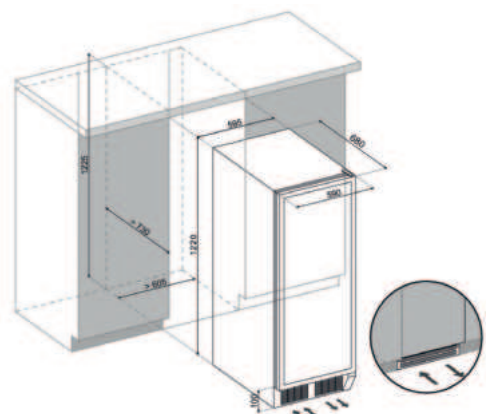


## GRANDE-94

Stainless steel DX-94.270SDSK EAN: DX-94.270SDSK  
Matt black DX-94.270DMBK EAN: 5999558435899  
RAL colour DX-94.270DCK EAN: 5999558435943



1220  
680  
595



Installation type	Freestanding or built-in
Bottle capacity (750mL Bordeaux bottles)	94
Type of opening	Handle
Type of hinges	Regular (Pivot)
Display type	LED touch screen
Cooling zones	2
Cooling ranges	5-12° C // 12-20° C
Operating instructions	Can be built-in, do not cover front grill
Heater	Yes
Installation requirements	Front grille ventilation
Energy class	G
Power consumption	159 kWh/a
Rated power	220-240V, 50Hz, 0,86A
Gross dimensions (HxWxD) in mm	1260x660x760
Product dimensions (HxWxD) in mm	1220x595x680
Shelf	Telescopic wooden shelves
Noise level	39dB
Low vibration	Yes
Cooling type	Fan assisted cooling, compressor
Glass door	UV protected, 3 layers of glass, reversible
Interior light	Blue LED light
Wifi	No
Warranty	3 years parts and labour + 2 years for compressor

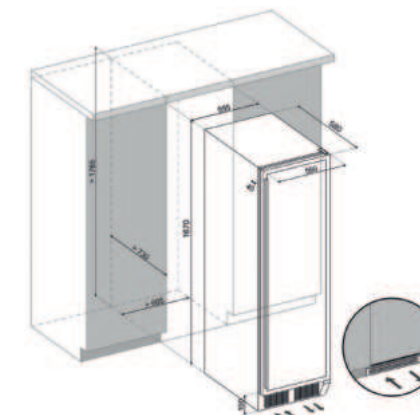


## GRANDE-108

Black full glass DX-108.330DB EAN: 5999558435684  
Stainless steel DX-108.330DSS EAN: 5999558435691  
Matt black DX-108.330DMB EAN: 5999558435905  
RAL colour DX-108.330DC EAN: 5999558435950



1670  
580  
595



Installation type	Freestanding or built-in
Bottle capacity (750mL Bordeaux bottles)	108
Type of opening	Handle
Type of hinges	Regular (Pivot)
Display type	LED touch screen
Cooling zones	2
Cooling ranges	5-12° C // 12-20° C
Operating instructions	Can be built-in, do not cover front grill
Heater	Yes
Installation requirements	Front grille ventilation
Energy class	G
Power consumption	155 kWh/a
Rated power	220-240V, 50Hz, 1,3A
Gross dimensions (HxWxD) in mm	1905x660x745
Product dimensions (HxWxD) in mm	1670x595x580
Shelf	Telescopic wooden shelves
Noise level	39dB
Low vibration	Yes
Cooling type	Fan assisted cooling, compressor
Glass door	UV protected, 3 layers of glass, reversible
Interior light	RGB side light
Wifi	No
Warranty	3 years parts and labour + 2 years for compressor

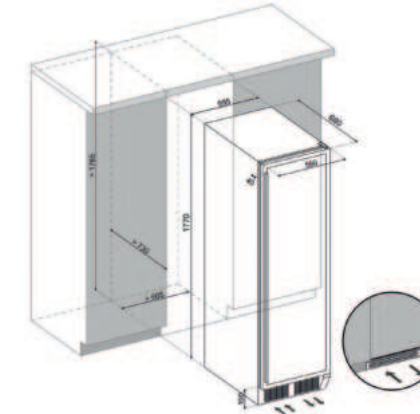


## GRANDE-166

Black full glass DX-166.428DBK EAN: 5999558431648  
Stainless steel DX-166.428SDSK EAN: 5999558432034  
Matt black DX-166.428DMBK EAN: 5999558435912  
RAL colour DX-166.428DCK EAN: 5999558435967



1770  
680  
595



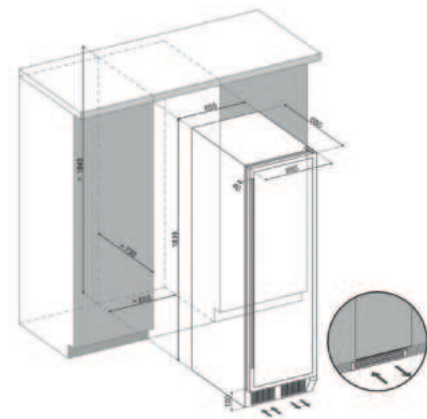
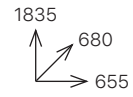
Installation type	Freestanding or built-in
Bottle capacity (750mL Bordeaux bottles)	166
Type of opening	Black: hidden handle, SS: handle
Type of hinges	Regular (Pivot)
Display type	LED touch screen
Cooling zones	2
Cooling ranges	5-12° C // 12-20° C
Operating instructions	Can be built-in, do not cover front grill
Heater	Yes
Installation requirements	Front grille ventilation
Energy class	G
Power consumption	146 kWh/a
Rated power	220-240V, 50Hz, 1,3A
Gross dimensions (HxWxD) in mm	1905x660x745
Product dimensions (HxWxD) in mm	1770x595x680
Shelf	Telescopic wooden shelves
Noise level	39dB
Low vibration	Yes
Cooling type	Fan assisted cooling, compressor
Glass door	UV protected, 3 layers of glass, reversible
Interior light	Blue LED light
Wifi	No
Warranty	3 years parts and labour + 2 years for compressor
















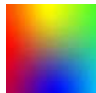
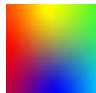
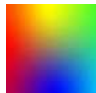
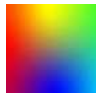
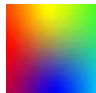
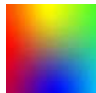
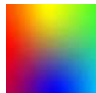
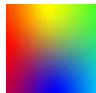




## GRANDE-181

Black full glass DX-181.490DBK EAN: 5999558431631  
 Stainless steel DX-181.490SDSK EAN: 5999558431969  
 Matt black DX-181.490DMBK EAN: 5999558435929  
 RAL colour DX-181.490DCK EAN: 5999558435974

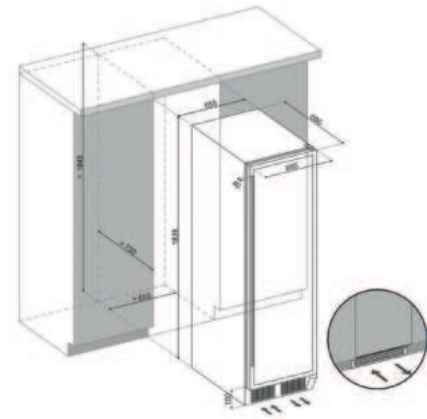
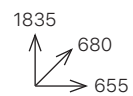

















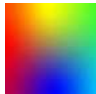
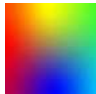
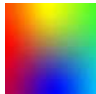
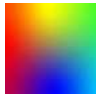
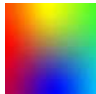
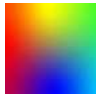
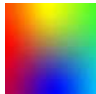
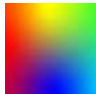
	Installation type	Freestanding or built-in
	Bottle capacity (750mL Bordeaux bottles)	181
	Type of opening	Handle
	Type of hinges	Regular (Pivot)
	Display type	LED touch screen
	Cooling zones	2
	Cooling ranges	5-12° C // 12-20° C
	Operating instructions	Can be built-in, do not cover front grill
	Heater	Yes
	Installation requirements	Front grille ventilation
	Energy class	G
	Power consumption	197 kWh/a
	Rated power	220-240V, 50Hz, 1,1 A
	Gross dimensions (HxWxD) in mm	1970x700x745
	Product dimensions (HxWxD) in mm	1835x655x680
	Shelf	Telescopic wooden shelves
	Noise level	40dB
	Low vibration	Yes
	Cooling type	Fan assisted cooling, compressor
	Glass door	UV protected, 3 layers of glass, reversible
	Interior light	Blue LED light
	Wifi	No
	Warranty	3 years parts and labour + 2 years for compressor



## GRANDE-194

Black full glass DX-194.490BK EAN: 5999558431945  
 Stainless steel DX-194.490SSK EAN: 5999558431952  
 Matt black DX-194.490MBK EAN: 5999558435936  
 RAL colour DX-194.490CK EAN: 5999558435981



	Installation type	Freestanding or built-in
	Bottle capacity (750mL Bordeaux bottles)	183
	Type of opening	Handle
	Type of hinges	Regular (Pivot)
	Display type	LED touch screen
	Cooling zones	1
	Cooling ranges	5-20° C
	Operating instructions	Can be built-in, do not cover front grill
	Heater	Yes
	Installation requirements	Front grille ventilation
	Energy class	G
	Power consumption	179 kWh/a
	Rated power	220-240V, 50Hz, 1,1 A
	Gross dimensions (HxWxD) in mm	1970x700x745
	Product dimensions (HxWxD) in mm	1835x655x680
	Shelf	Telescopic wooden shelves
	Noise level	40dB
	Low vibration	Yes
	Cooling type	Fan assisted cooling, compressor
	Glass door	UV protected, 3 layers of glass, reversible
	Interior light	Blue LED light
	Wifi	No
	Warranty	3 years parts and labour + 2 years for compressor





# DUNAVOX SERA

## Champagne, Prosecco, Cava

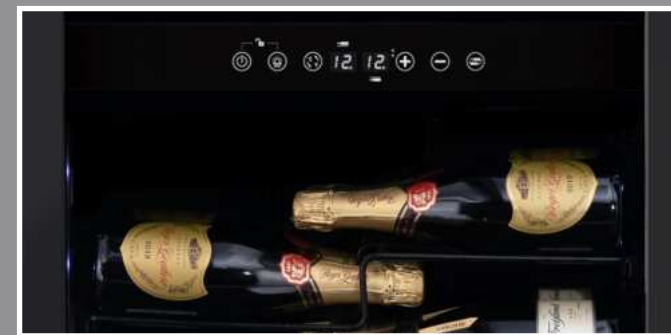
DUNAVOX SERA



### KEY FEATURES

#### SINGLE AND DUAL TEMPERATURE ZONES

Dunavox wine coolers are available with one or two cooling zones. Configuring the desired temperature is easy at single, dual or even three cooling zone wine coolers.



#### LABEL VIEW SHELVES

Designed specifically for larger bottles, the optimal distance between the shelves fits comfortably with the champagne & prosecco bottles. Bottles are supported on patented display shelves. Botte capacity and shelf distance is based on standard shaped champagne bottles, dimensions listed above (750ml 310x85mm).



#### VARIOUS DOOR/ FINISH OPTIONS

Black full glass door, stainless steel door, matt black door, RAL colour door, overlay panel – a finish to match any kitchen style or colour.



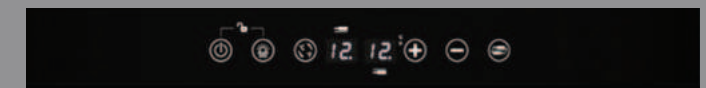
#### MULTI LED LIGHT

A lighting option for every mood; choose between white, amber or blue, as well as multiple lighting mode.



#### LED TOUCH SCREEN

LED display allows a quick and easy use to set and check the desired temperature.



#### HIDDEN HANDLE DOOR

Inkeeping with the latest design trends with undercounter wine coolers, a small range of our coolers are available with a recessed handle.



#### FRONT GRILLE VENTILATION

The ventilation grille must be kept free; the warm air produced by the compressor is expelled through one side and the cooler air is drawn in on the other via a set of silent fans which enable the cooler to ventilate correctly.

If running a plinth in front of the wine cooler, a grille must be installed into the plinth itself to ensure adequate ventilation and any heat sources near to the cooler will likely reduce the life span of the fridge, namely the compressor itself.



3

**THREE YEAR WARRANTY**  
Parts & labour  
+2 year for compressor



**80 CM HIGH**  
DAUF-40.138B  
DAUF-40.138SS



**120 CM HIGH**  
DX-58.258DB  
DX-58.258DSS



**120 CM HIGH**  
DX-70.258B  
DX-70.258SS



**180 CM HIGH**  
DX-143.468B  
DX-143.468SS

#### YACHT & SHIP INSTALLATIONS

Indulge in the luxury of perfectly chilled wines at sea with our state-of-the-art wine fridges aboard cruise ships. Designed to preserve the delicate flavors and aromas of your favorite vintages, our sleek and efficient wine fridges ensure that every sip is as delightful as the first. Elevate your onboard experience with the convenience and sophistication of expertly stored wines, enhancing every moment of your voyage.



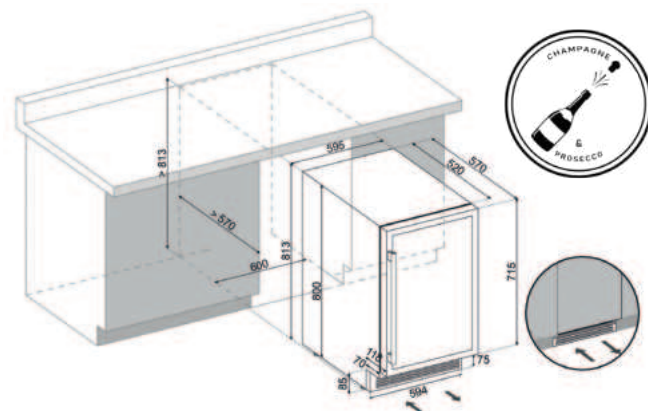


## SERA-40

Black full glass DAUF-40.138B EAN: 5999558433482  
 Stainless steel DAUF-40.138SS EAN: 5999558433499  
 Matt black DAUF-40.138MB EAN: 5999558436155  
 RAL colour DAUF-40.138C EAN: 5999558436193



813  
570  
595



	Installation type	Undercounter only
	Bottle capacity (750mL Bordeaux bottles)	40
	Unique bottle placement	Champagne, cava, prosecco
	Type of opening	Black: hidden handle, SS: handle
	Type of hinges	Regular (Pivot)
	Display type	LED touch screen
	Cooling zones	1
	Cooling ranges	5-20° C
	Operating instructions	Unit must be fixed to the counter otherwise it tips over
	Heater	No
	Installation requirements	Front grille ventilation
	Energy class	E
	Power consumption	83 kWh/a
	Rated power	220-240V, 50Hz 0,85A
	Gross dimensions (HxWxD) in mm	880x660x625
	Product dimensions (HxWxD) in mm	813x595x570
	Shelf	Telescopic metal shelves
	Noise level	38dB
	Low vibration	Yes
	Cooling type	Fan assisted cooling, compressor
	Glass door	UV protected, 3 layers of glass, reversible
	Interior light	Multi LED light (white, amber, blue)
	Warranty	3 years parts and labour + 2 years for compressor

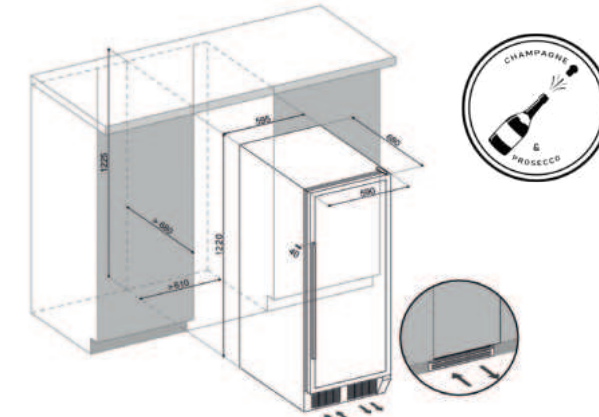


## SERA-70

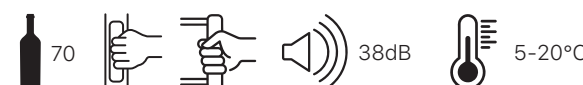
Black full glass DX-70.258B EAN: 5999558435172  
 Stainless steel DX-70.258SS EAN: 5999558435189  
 Matt black DX-70.258MB EAN: 5999558436179  
 RAL colour DX-70.258C EAN: 5999558436216



1220  
680  
585



	Installation type	Freestanding or built-in
	Bottle capacity (750mL Bordeaux bottles)	70
	Unique bottle placement	Champagne, cava, prosecco
	Type of opening	Black: hidden handle, SS: handle
	Type of hinges	Regular (Pivot)
	Display type	LED touch screen
	Cooling zones	1
	Cooling ranges	5-20° C
	Operating instructions	Can be built-in, do not cover front grill
	Heater	No
	Installation requirements	Front grille ventilation
	Energy class	F
	Power consumption	111 kWh/a
	Rated power	220-240V, 50Hz 0,85A
	Gross dimensions (HxWxD) in mm	1260x660x745
	Product dimensions (HxWxD) in mm	1220x595x680
	Shelf	Telescopic metal shelves
	Noise level	38dB
	Low vibration	Yes
	Cooling type	Fan assisted cooling, compressor
	Glass door	UV protected, 3 layers of glass, reversible
	Interior light	Multi LED light (white, amber, blue)
	Warranty	3 years parts and labour + 2 years for compressor

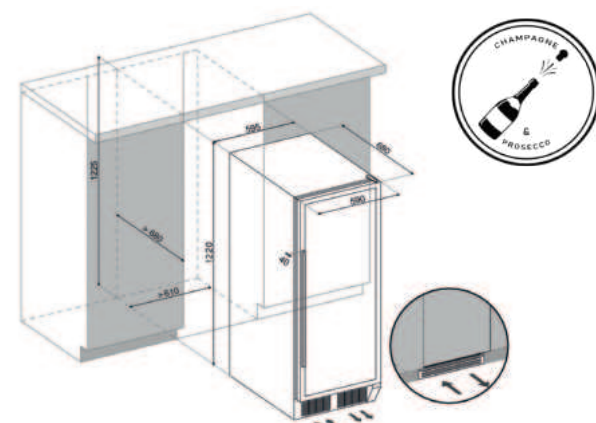


## SERA-58

Black full glass DX-58.258DB EAN: 5999558435158  
 Stainless steel DX-58.258DSS EAN: 5999558435165  
 Matt black DX-58.258DMB EAN: 5999558436162  
 RAL colour DX-58.258DC EAN: 5999558436209



1220  
680  
595



	Installation type	Freestanding or built-in
	Bottle capacity (750mL Bordeaux bottles)	58
	Unique bottle placement	Champagne, cava, prosecco
	Type of opening	Black: hidden handle, SS: handle
	Type of hinges	Regular (Pivot)
	Display type	LED touch screen
	Cooling zones	2
	Cooling ranges	5-12° C // 12-20° C
	Operating instructions	Can be built-in, do not cover front grill
	Heater	No
	Installation requirements	Front grille ventilation
	Energy class	G
	Power consumption	128 kWh/a
	Rated power	220-240V, 50Hz 0,85A
	Gross dimensions (HxWxD) in mm	1260x660x745
	Product dimensions (HxWxD) in mm	1220x595x680
	Shelf	Telescopic metal shelves
	Noise level	40dB
	Low vibration	Yes
	Cooling type	Fan assisted cooling, compressor
	Glass door	UV protected, 3 layers of glass, reversible
	Interior light	Multi LED light (white, amber, blue)
	Warranty	3 years parts and labour + 2 years for compressor

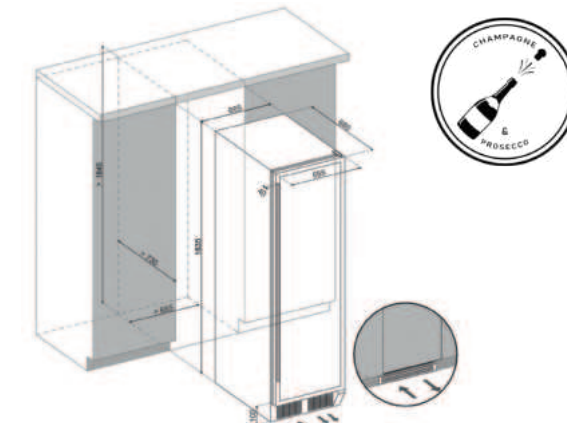


## SERA-143

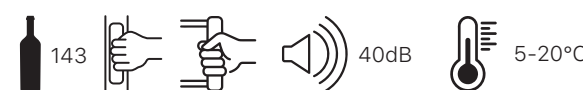
Black full glass DX-143.468B EAN: 5999558432645  
 Stainless steel DX-143.468SS EAN: 5999558432638  
 Matt black DX-143.468MB EAN: 5999558436186  
 RAL colour DX-143.468C EAN: 5999558436223



1835  
680  
655



	Installation type	Freestanding or built-in
	Bottle capacity (750mL Bordeaux bottles)	70
	Unique bottle placement	Champagne, cava, prosecco
	Type of opening	Black: hidden handle, SS: handle
	Type of hinges	Regular (Pivot)
	Display type	LED touch screen
	Cooling zones	1
	Cooling ranges	5-20° C
	Operating instructions	Can be built-in, do not cover front grill
	Heater	No
	Installation requirements	Front grille ventilation
	Energy class	G
	Power consumption	162 kWh/a
	Rated power	220-240V, 50Hz 1,3A
	Gross dimensions (HxWxD) in mm	1970x700x745
	Product dimensions (HxWxD) in mm	1835x655x680
	Shelf	Telescopic metal shelves
	Noise level	40dB
	Low vibration	Yes
	Cooling type	Fan assisted cooling, compressor
	Glass door	UV protected, 3 layers of glass, reversible
	Interior light	Multi LED light (white, amber, blue)
	Warranty	3 years parts and labour + 2 years for compressor





# DUNAVOX HOME

Anywhere with you

DUNAVOX HOME



## KEY FEATURES

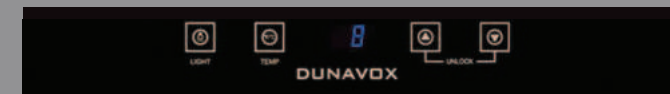
### HIDDEN HANDLE DOOR

Sleek handle-less design with a discreetly installed hidden handle.



### LED TOUCH SCREEN

The built-in display is easy to use and provides quick feedback on the temperature of the wines.  
\* except HOME-48



### OUTDOOR PLACEMENT

Dunavox wine coolers are intended to use indoor, however if you follow a few conditions the units can also be used outdoors. Keep the fridge out of direct sunlight, and install it in a covered area protected from rain. Do not keep the unit outside when the ambient temperature fall below 18°C. (Lets cover ourselves, heating wise)



### OPENED BOTTLES STORAGE

Home series offers a unique feature to store opened bottles in the wine fridges in standing position. The front part of the unit is designed for standing bottle storage.



### INSTALLATION/ PLACEMENT

It's an easy to handle range. The capacity is on a wide scale from 16 to 50 bottles. These coolers can't be built-in or place under a counter. Only the freestanding installation is allowed because these coolers don't have a regular front grid where the ventilation can be done. For proper functioning the units require free space around them.

The condenser is installed inside the corpus, this means the heat extraction happens at the sides and at the top of the cooler. That's why it's crucial to let these units stand freely.



### FREESTANDING

- standard door opening
- door is NOT REVERSIBLE

**3**

THREE YEAR WARRANTY  
Parts & labour  
+2 years for compressor



50 CM HIGH

DXFH-16.46



65 CM HIGH

DXFH-20.62



83 CM HIGH

DXFH-28.88



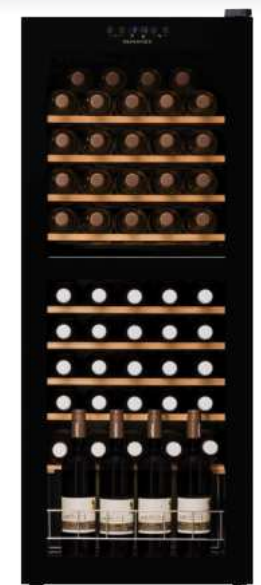
84 CM HIGH

DXFH-30.80



84 CM HIGH

DXFH-48.130



130 CM HIGH

DXFH-50.142

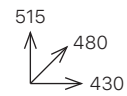


## HOME-16

Black full glass DXFH-16.46 EAN: 5999558434786



FREESTANDING



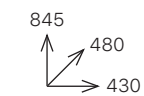
Installation type	Freestanding installation only
Bottle capacity (750mL Bordeaux bottles)	15
Type of opening	Hidden handle
Type of hinges	Top hinge
Display type	LED touch screen
Cooling zones	1
Cooling ranges	4-18°C
Operating instructions	Suitable for storing bottles upright
Heater	No
Installation requirements	Freestanding
Energy class	G
Power consumption	134 kWh/a
Rated power	220-240V, 50Hz, 0,55A
Gross dimensions (HxWxD) in mm	575x550x500
Product dimensions (HxWxD) in mm	515x430x480
Shelf	Wooden sliding shelves
Noise level	40dB
Low vibration	Yes
Cooling type	Direct cooling, compressor
Glass door	2 layers of glass, not reversible
Interior light	Blue LED light
Wifi	No
Warranty	3 years parts and labour + 2 years for compressor

## HOME-28

Black full glass DXFH-28.88 EAN: 5999558434809



FREESTANDING



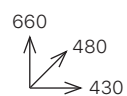
Installation type	Freestanding installation only
Bottle capacity (750mL Bordeaux bottles)	28
Type of opening	Hidden handle
Type of hinges	Top hinge
Display type	LED touch screen
Cooling zones	1
Cooling ranges	4-18°C
Operating instructions	Suitable for storing bottles upright
Heater	No
Installation requirements	Freestanding
Energy class	G
Power consumption	139 kWh/a
Rated power	220-240V, 50Hz, 0,55A
Gross dimensions (HxWxD) in mm	895x570x505
Product dimensions (HxWxD) in mm	845x430x480
Shelf	Wooden sliding shelves
Noise level	40dB
Low vibration	Yes
Cooling type	Direct cooling, compressor
Glass door	2 layers of glass, not reversible
Interior light	Blue LED light
Wifi	No
Warranty	3 years parts and labour + 2 years for compressor

## HOME-20

Black full glass DXFH-20.62 EAN: 5999558434793



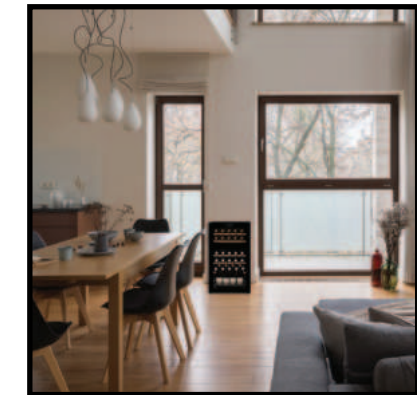
FREESTANDING



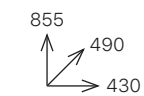
Installation type	Freestanding installation only
Bottle capacity (750mL Bordeaux bottles)	20
Type of opening	Hidden handle
Type of hinges	Top hinge
Display type	LED touch screen
Cooling zones	1
Cooling ranges	4-18°C
Operating instructions	Suitable for storing bottles upright
Heater	No
Installation requirements	Freestanding
Energy class	G
Power consumption	136 kWh/a
Rated power	220-240V, 50Hz, 0,55A
Gross dimensions (HxWxD) in mm	710x555x505
Product dimensions (HxWxD) in mm	660x430x480
Shelf	Wooden sliding shelves
Noise level	40dB
Low vibration	Yes
Cooling type	Direct cooling, compressor
Glass door	2 layers of glass, not reversible
Interior light	Blue LED light
Wifi	No
Warranty	3 years parts and labour + 2 years for compressor

## HOME-30

Black full glass DXFH-30.80 EAN: 5999558434830



FREESTANDING



Installation type	Freestanding installation only
Bottle capacity (750mL Bordeaux bottles)	29
Type of opening	Hidden handle
Type of hinges	Top hinge
Display type	LED touch screen
Cooling zones	2
Cooling ranges	4-18°C // 4-18°C
Operating instructions	Temperature difference cannot exceed 6°C
Heater	Suitable for storing bottles upright
Installation requirements	Freestanding
Energy class	G
Power consumption	138 kWh/a
Rated power	220-240V, 50Hz, 0,5A
Gross dimensions (HxWxD) in mm	905x555x545
Product dimensions (HxWxD) in mm	855x430x490
Shelf	Wooden sliding shelves
Noise level	41 dB
Low vibration	Yes
Cooling type	Fan assisted cooling, compressor
Glass door	2 layers of glass, not reversible
Interior light	Blue LED light
Wifi	No
Warranty	3 years parts and labour + 2 years for compressor



## HOME-48

Black full glass DXFH-48.130 EAN: 5999558434847



845  
570  
550



Installation type	Freestanding installation only
Bottle capacity (750mL Bordeaux bottles)	48
Type of opening	Hidden handle
Type of hinges	Top hinge
Display type	Manual thermostat
Cooling zones	1
Cooling ranges	4-18°C
Operating instructions	There is no LED display Temperature can be set with a manual thermostat
Heater	No
Installation requirements	Freestanding
Energy class	G
Power consumption	144 kWh/a
Rated power	220-240V, 50Hz, 0,55A
Gross dimensions (HxWxD) in mm	855x590x580
Product dimensions (HxWxD) in mm	845x550x570
Shelf	Wooden sliding shelves
Noise level	40dB
Low vibration	Yes
Cooling type	Direct cooling, compressor
Glass door	2 layers of glass, not reversible
Interior light	Blue LED light
Wifi	No
Warranty	3 years parts and labour + 2 years for compressor



FREESTANDING

### Warranty:

All Dunavox products for domestic use are covered by a 24-month warranty, plus an additional one-year warranty and an additional 2-year warranty on the compressor. To obtain the additional warranty, you must register your purchase at [www.dunavox.com](http://www.dunavox.com) within 30 days from the date of purchase.

### Assistance:

Technical interventions under warranty are always piloted by Dunavox, which will organise them using the contracted technical assistance. In case of technical assistance fill the service registry form on your country specific Dunavox website. [www.dunavox.com](http://www.dunavox.com)

### General Terms and Conditions of Sale:

**Prices:** The displayed prices are recommended and non-binding. Taxes and transport are excluded.  
**Illustrations and descriptions:** All measurements, prices and descriptions published in this catalogue may be changed or cancelled at any time and without notice, according to the technical and commercial needs of Dunavox without the possibility of claims by the purchaser.

**Payments:** Payments are only recognised as valid if made directly to the supplier. \*Also in the case of old appropriate dispute, however, payments may not be suspended.

In case of delayed payments default interest based on local legislation rules is applicable.

**Bank collection fees:** Over due invoices, bank collection charges will be debited.

**Transport:** All units must be checked upon delivery. Any complaints about the quantity or quality of goods will only be accepted if made at the time of unloading and noted on the Transport Document.

**Delivery terms:** Delivery terms are purely indicative, no penalties for late delivery will be accepted. Some products may be temporarily out of stock, in which case it will be notified of the approximate date of delivery and/or the immediate availability of similar products.

**Exchanges and returns:** Returns of goods not previously authorised in writing by the supplier are not permitted.

If the defective goods are installed, no reimbursement will be made for the costs incurred for installation.

**Deliveries:** The supplier reserves the right to suspend deliveries in any case of non-compliance, including partial, of the purchaser to its obligations.

**Place of Jurisdiction:** The exclusive place of jurisdiction for all disputes is the supplier.

**Manufacturer's Warranty:** All products on sale are covered by the official manufacturer's warranty under the regulations, to the extent applicable. This warranty shall apply to product presenting conformity defects and/or malfunctions that could not be detected at the time of purchase. The warranty is personal and will therefore only apply to the original purchaser, being reserved for direct customers and not for traders and retailers. The warranty is 24 months from the actual date of purchase. Registering the product at [www.dunavox.com](http://www.dunavox.com) within 30 days from the date of purchase will entitle you to an additional year's warranty and a total of 5 years' warranty on the compressor.

In any case, and therefore also for events for which any warranty shall be recognised, Dunavox shall not be liable for any damage suffered by the products contained in the wine cellars or the surrounding materials.

**Read the instruction manual carefully and pay attention to the installation sheets.**

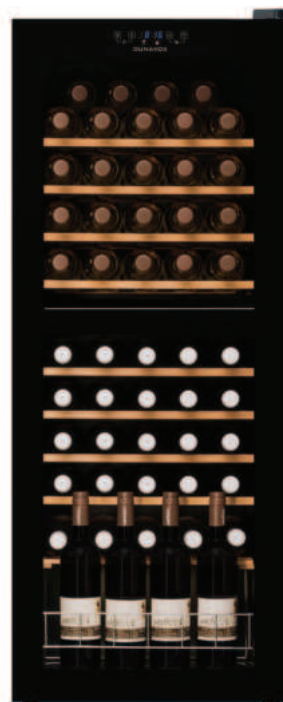
**WARNINGS:** For the correct functioning of the built-in wine cellars in column (not self-ventilated), it is necessary to provide a front ventilation grille, a sanitary vacuum at the bottom of the cabinet and an outlet at the top of the cabinet for expelling hot air, in under-shelf wine cellars only a grille is required adequately sized ventilation front. In any case, always refer to the technical installation diagrams. Pay attention to the correct closing of the door in the cabinet and adjustment of the hinges. Adjusting the feet to level the cellar. Product measurements are in mm.

**Dunavox disclaims all liability for any inaccuracies due to transcription errors or printing of this price list, which cancels and replaces the previous ones.**

### Important:

## HOME-50

Black full glass DXFH-50.142 EAN: 5999558435714



1295  
470  
480



Installation type	Freestanding with a service channel
Bottle capacity (750mL Bordeaux bottles)	50
Type of opening	Hidden handle
Type of hinges	Top hinge
Display type	LED touch screen
Cooling zones	2
Cooling ranges	4-18°C // 4-18°C
Operating instructions	Proper ventilation above and around The unit provides possibility to built-in
Heater	Yes
Installation requirements	Freestanding with a service channel
Energy class	G
Power consumption	146 kWh/a
Rated power	220-240V, 50Hz, 0,5A
Gross dimensions (HxWxD) in mm	1370x555x545
Product dimensions (HxWxD) in mm	1295x480x470
Shelf	Wooden sliding shelves
Noise level	41 dB
Low vibration	Yes
Cooling type	Fan assisted cooling, compressor
Glass door	2 layers of glass, not reversible
Interior light	Blue LED light
Wifi	No
Warranty	3 years parts and labour + 2 years for compressor



FREESTANDING

ALSO CAN BE BUILT-IN